

PRG Turntables

PRG offers a wide variety of Turntables to suit many applications, from 4' in diameter up to 24' diameter.

Quality Assurance

Engineered for efficient and rapid deployment PRG turntables provide safe and fluid motion.

Product Options

PRG's standard turntables are available in a wide variety of sizes and can be customized to fit your needs. Designed to handle live loads PRG's Turntables are ideal for all markets including corporate events, concert touring and theatre.



Goldberg 2015

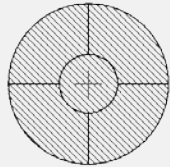


Tuck Everlasting 2016

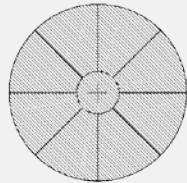
PRG Turntables



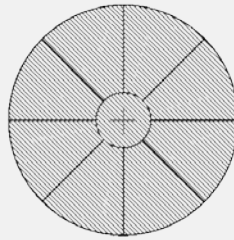
4'-0"



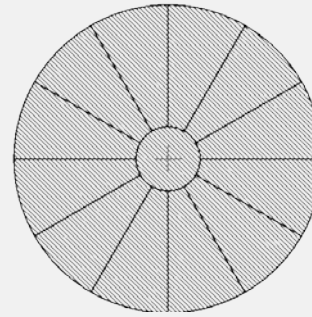
8'-0"



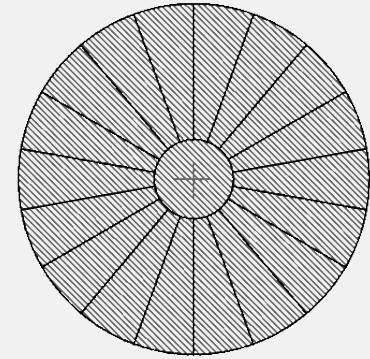
10'-0"



12'-0"



16'-0"



18'-0"

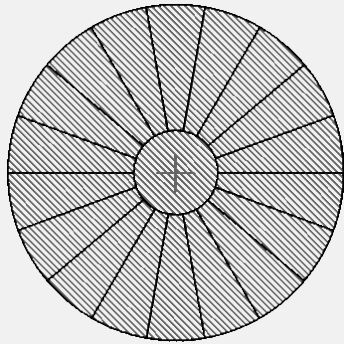
4'-0" – 12'-0"

Diameter	Height	Drive Type	Max Live Load (lbs)	Ecode
4'-0"	10"	Internal	500	2.9094A
8'-0"	12"	Internal	1000	2.9094F
10'-0"	12"	Internal	1000	2.9094F
12'-0"	12"	Internal	1000	2.9094F

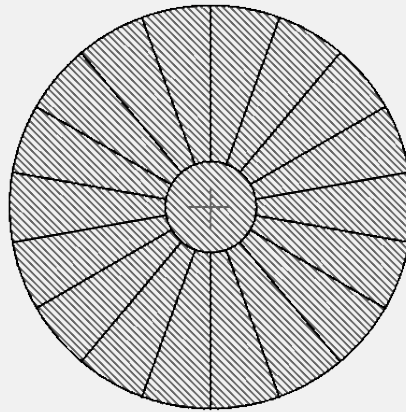
16'-0" – 18'-0"

Diameter	Height	Drive Type	Max Live Load (lbs)	Ecode
16'-0"	8"	External	3500	2.9094H
18'-0"	8"	External	3500	2.9094H
18'-0"	8"	External	8000	2.9094L
18'-0"	15.5"	Internal	6000	2.9094P
18'-0"	19.5"	Internal	6000	2.9094Q

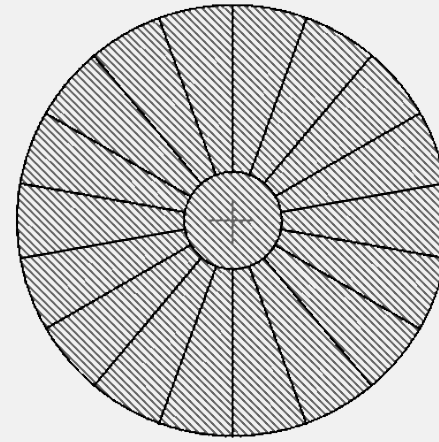
PRG Turntables



20'-0"



24'-0"

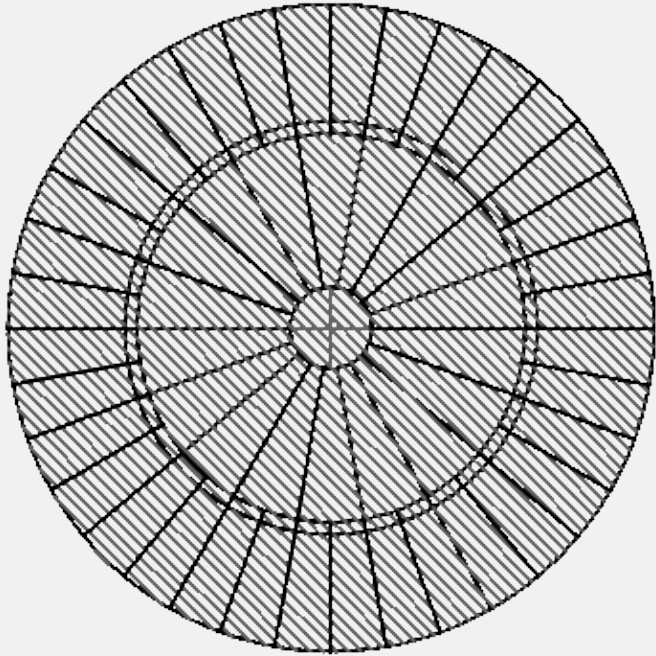


25'-0"

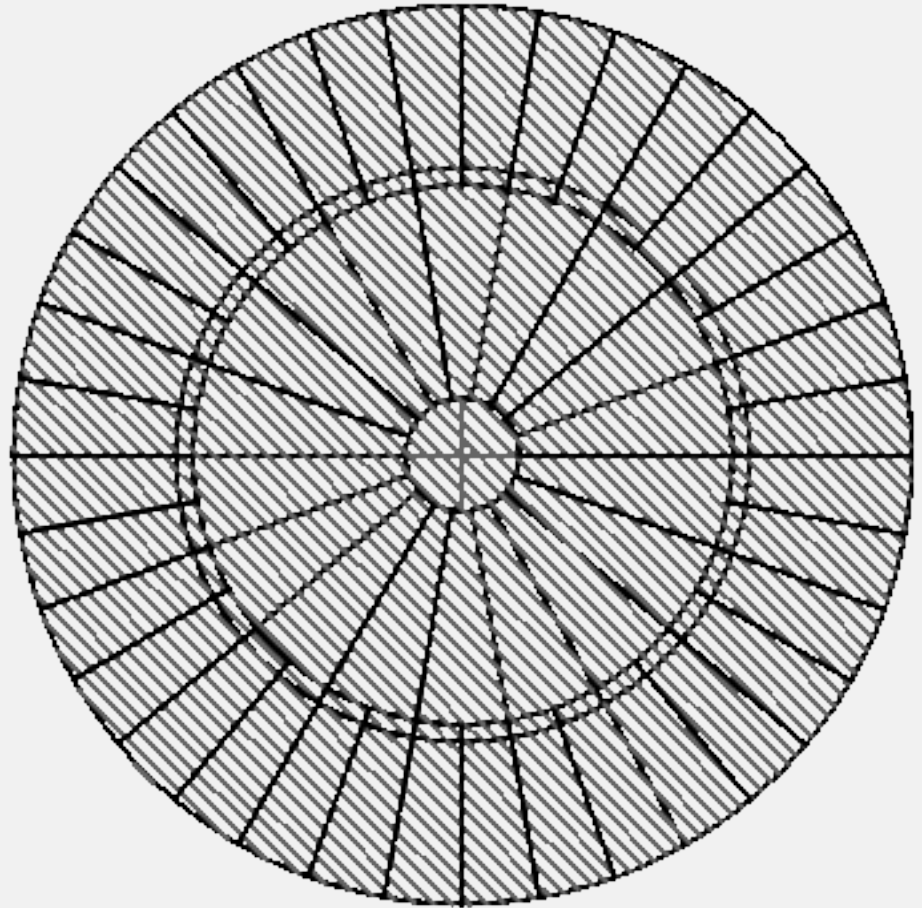
20'-0" – 25'-0"

Diameter	Height	Drive Type	Max Live Load (lbs)	Ecode
20'-0"	15.5"	Internal	6000	2.9094P
24'-0"	8"	External	10000	2.9094V
25'-0"	9.25"	External	6000	2.9094X

PRG Turntables



40'-0



60'-0

40'-0" – 60'-0"

Diameter	Height	Drive Type	Max Live Load (lbs)	Ecode
40'-0"	8"	External	20,000	2.9094V
60'-0"	8"	External	36,000	2.9094V

PRG Turntables



PRG's Turntables offer flexibility, durability and are also easy to assemble.

PRG Turntables are engineered for safe, efficient and rapid deployment and have easily configured variable speeds.

PRG's turntables are ideal for all markets including corporate events, concert touring, television and theatre. PRG Turntables are designed to travel easily on provided carts, dollies or pallets and can be easily set up with a small crew in as little as two hours time.

Turntable motors are available in both DC or Servo Controllers and can be fully programmed in variable speeds.

Features

Quick and Easy Assembly

- Travels on Carts, Dollies or Pallets
- Some sizes available with surround
- Set up in as little as two hours with Minimal Crew
- Motors available with either DC or Servo Controller
- All Motors are Variable Speed

©2016 PRODUCTION RESOURCE GROUP, LLC. ALL RIGHTS RESERVED.
SPECIFICATIONS ARE SUBJECT TO CHANGE
WWW.PRG.COM