

The background of the image is a large, complex stage set. It features a grid of lights and a large screen displaying a woman's face. The lighting is dramatic, with a mix of red, orange, and blue tones. The overall atmosphere is one of high-tech and entertainment.

**TECHNOLOGY.
EXPERTISE.
SOLUTIONS.**

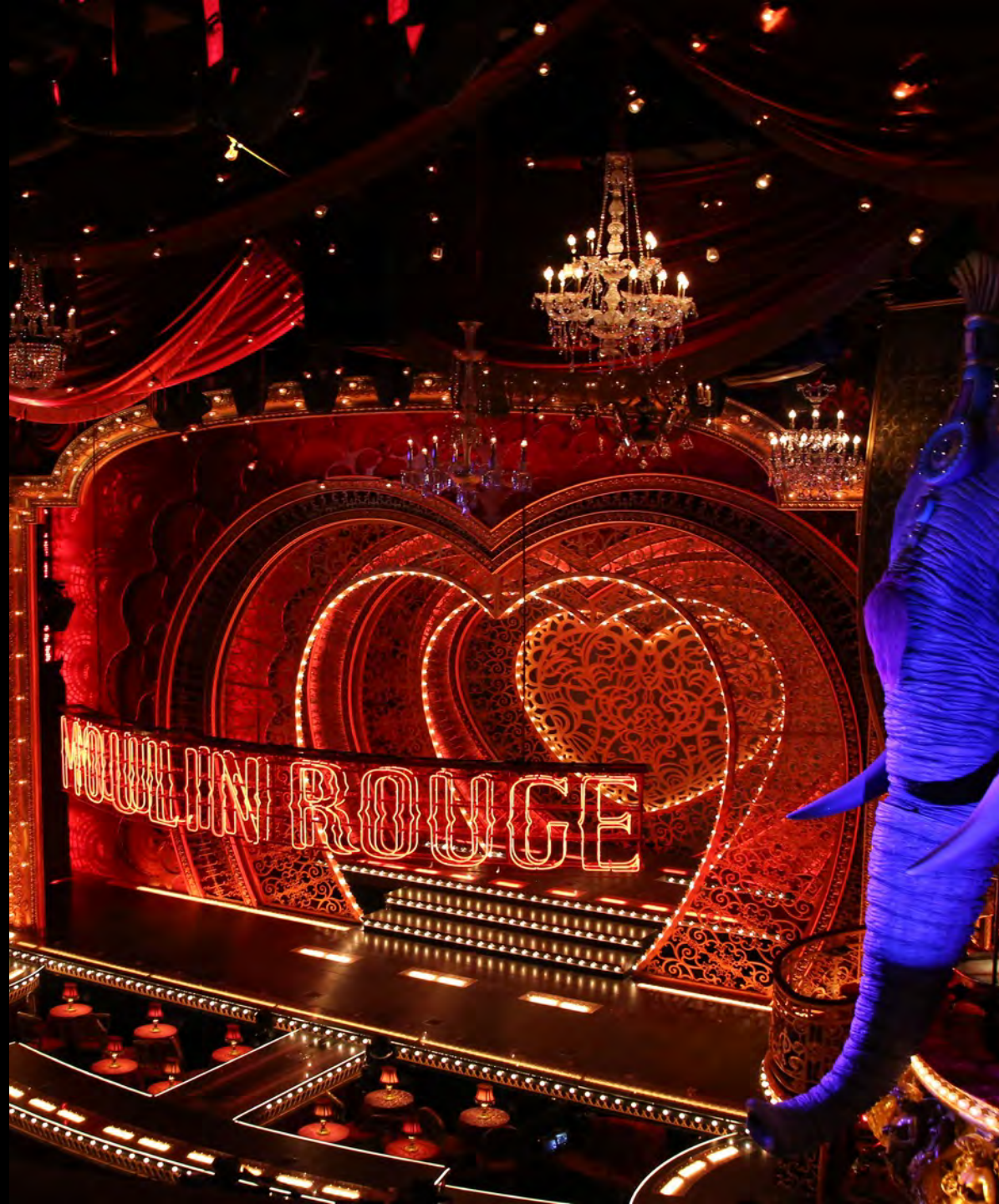
Scenic Rental Catalog

Platforms & Decks

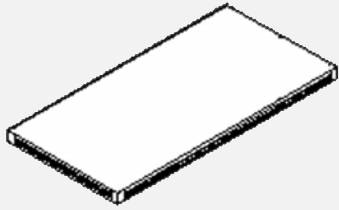
Rolling Stage

A strong, flexible stage that is quick to assemble.

- Engineered for safe, and efficient deployment
- Easily repositioned and reconfigured
- Standard 4' x 8' (1.22m x 2.44m) with additional setup options



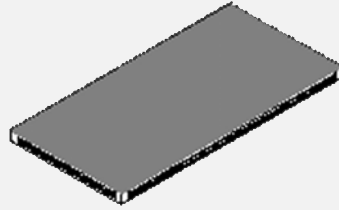
Rolling Stage



Standard Plywood Platforms

Platform Size	Ecode
4' x 8'	2.90531-101
4' x 6'	2.90531-111
4' x 4'	2.90531-121
2' x 8'	2.90531-131
2' x 4'	2.90531-141

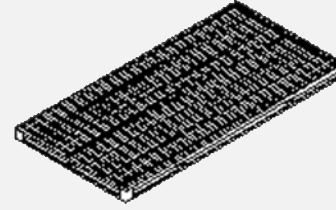
Custom configurations available. Call for details.



Black Vinyl Lid Platforms

Platform Size	Ecode
4' x 8'	2.90531-102
4' x 6'	2.90531-112
4' x 4'	2.90531-122
2' x 8'	2.90531-132
2' x 4'	2.90531-142

Custom configurations available. Call for details.



Grating Lid Platforms

Platform Size	Ecode
4' x 8'	2.90531-103
4' x 6'	2.90531-113
4' x 4'	2.90531-123
2' x 8'	2.90531-133
2' x 4'	2.90531-143

Custom configurations available. Call for details.



Guardrail (Black Anodized)

Size	Ecode
3' Guardrail	2.90531-403
4' Guardrail	2.90531-404
5' Guardrail	2.90531-405
8' Guardrail	2.90531-408

Custom configurations may be available. Call for details.



Guardrail (Polycarbonate)

Size	Ecode
4' Guardrail	
8' Guardrail	

Custom graphics/privacy panels are available upon request.



Adjustable Handrail for Stairs

Handrail Height	Ecode
36" – 56"	2.90531-443
48" – 72"	2.90531-444

Custom configurations may available. Call for details.



Adjustable Step Unit

Stair Height	Ecode
24" – 36"	2.90531-422
36" – 56"	2.90531-423
48" – 72"	2.90531-424

Custom configurations may available. Call for details.

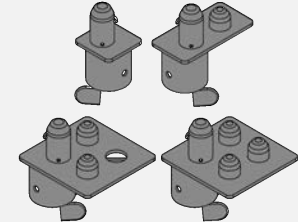
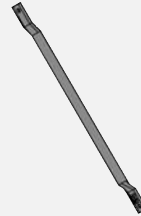


Stage Skirting (Black)

Size	Ecode
2'H x 26.5' W	2.90531-726
3' H x 25' W	2.90531-735
5' H x 25' W	2.90531-755
6' H x 25' W	2.90531-765

Additional sizes may be available. Call for details.

Rolling Stage



Straight Legs

2' Straight Leg	2.90531-202
3' Straight Leg	2.90531-203
3'-6' Straight Leg	2.90531-213
4' Straight Leg	2.90531-204
5' Straight Leg	2.90531-205
6' Straight Leg	2.90531-206
8' Straight Leg	2.90531-208

Bent Legs

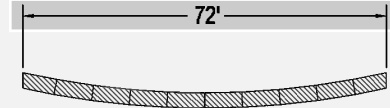
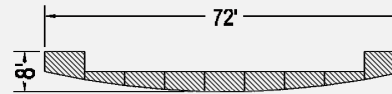
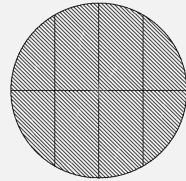
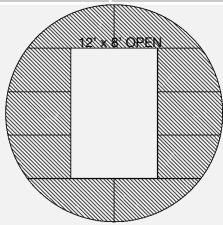
4' Bent Leg	2.90531-254
5' Bent Leg	2.90531-255
6' Bent Leg	2.90531-256
8' Bent Leg	2.90531-258

Leg Brace

For 2' Deck	2.90531-332
For 3' Deck	2.90531-333
For 4' Deck	2.90531-334
For 5' Deck	2.90531-335
For 6' Deck	2.90531-336
For 8' Deck	2.90531-338

Locator Plates

Size	Ecode
Locator Plate x1	2.90531-310
Locator x2 Left	2.90531-320
Locator x2 Right	2.90531-321
Locator Plate x3	2.90531-330
Locator Plate x4	2.90531-331



20' Circular Platform Assembly

Size	Ecode
20' Diameter	2.90916-10

Custom configurations may be available. Call for details.

16' Circular Platform Assembly

Size	Ecode
16' Diameter	2.90913-10

Custom configurations may be available. Call for details.

Apron

Size	Ecode
162' Radius	2.90911

Custom configurations may be available. Call for details.

Monitor Shelf

Size	Ecode
162' Radius	2.9091H

Custom configurations may be available. Call for details.

Rolling Stage Data Sheet



PRG Rolling Stage is a flexible, portable stage that offers strength and durability and is also quick to assemble. The Rolling Stage is engineered for safe, efficient and rapid deployment and is easily repositioned and reconfigured. The design is based on a standard 4'x8' (1.22m x 2.44m) size.

PRG's Rolling Stage is ideal for all markets including corporate events, concert touring, television and theatre. The Rolling Deck is designed with a heavy-duty leg and caster system that is available in 4', 5', 6' and 8' heights so there is no need to wrestle with unstable adjustable legs. A heavy-duty threaded-rod leveling feature engineered into the casters provides precise leveling of the stage deck. The heavy-duty legs easily lock into place with a slip pin and are available in either a straight or bent version. Bent legs allow for conflict-free joining of platforms during fast reconfigurations. Platforms are placed on legs fitted with either single, double or quad mounting pin nodes for joining Rolling Stage sections. The innovative mounting pin node means that extraneous legs are removed from the set-up without compromising safety or stability. This unique leg system requires minimal crew for installation and repositioning. The legs lock into place with a slip pin mechanism and require no tools for attaching or detaching. Diagonal supports, which are all the same length, also mount with a slip pin mechanism and require no tools for attaching or detaching. All PRG Rolling Stage platforms Roto-Lock from underneath for quick and easy assembly of large stage decks.

Features

Quick and Easy Assembly

- Extruded aluminum frame design
- Platform constructed of plywood top over an aluminum skin
- Aluminum skin provides a Class-A fire rating for the platform
- Smooth rolling motion allows easy reconfiguration with minimal crew
- Standard 4' X 8' (1.22m X 2.44m) platform allows for flexible size configurations
- Each 4' X 8' deck supports up to 120 Lbs/Sq-Ft
- Casters available in standard-duty or heavy-duty sizes
- Stock legs are available in 4', 5', 6', and 8' heights
- Legs are available in either straight or bent versions and lock easily into place with a slip pin lock
- The bent legs allow sections to be brought quickly together without conflict when the deck needs to be reconfigured while in use
- Straight legs and mounting pin nodes join stationary sections quickly and safely
- Single, double or quad nodes top plates on a single leg offer fast, flexible assembly and cut down on unnecessary legs
- Same length diagonal supports reduce the need for extra components and save assembly time
- Diagonals easily mount with slip pin locks
- Rounded platform rail edges allow for easy, safe handling
- Platform sections roto-lock from underneath for faster assembly
- Casters using a threaded rod allow for fast, precise leveling on uneven floors
- Easily attached staircase is adjustable for height and pitch
- Accessory handrail sections easily lock into the side and end rails of the platforms

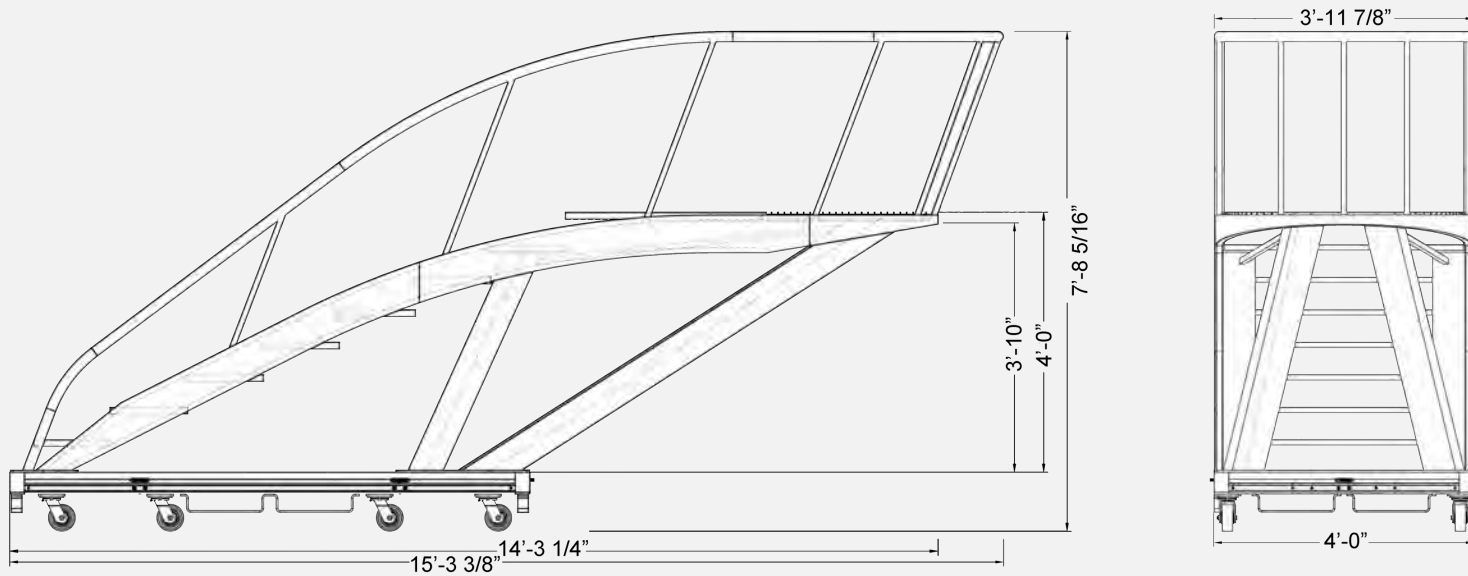
Screamer Platform

A portable, temporary stage platform solution.

- Engineered for efficient and rapid deployment
- Constructed from lightweight aluminum
- Utilizes temporary stair structures for elevation above a main stage
- Designed to handle live loads



Screamer Platform



Screamer Platforms						
Width	Height	Length	Uniform Live Load (psf)	Uniform Live Load (lbs)	Concentrated Live Load @ Cantilever (lbs) **	Ecode
4'-0"	7'- 8 5/16"	15'-3 3/8"	50	2,600	400	2.953B1

*The load indicated above acts directly on the existing structure and/or grade. The capacity of the existing building structure and/or grade to support these new loads has not been verified by the PRG. It is the responsibility of the venue owner to ensure that the existing structure and/or grade can support the loads imposed on it by these systems.

** Concentrated live load at the end of the cantilever is not concurrent with the uniform live load.

Screamer Platform



PRG's Screamer Platforms offer flexibility, durability and portability. PRG Screamer Platforms are lightweight temporary stage platform units, designed to be used by performers as an elevated stage above the general performance area.

PRG's Screamer Platforms are ideal for all markets including concert touring, television and theatre. PRG Screamer Platforms are designed to travel as individual, assembled units. Casters and fork pockets allow for easy placement of units onto a specially designed, counterweighted custom deck platform.

Features

Quick and Easy Installation

- Lightweight welded aluminum stair frame
- Travels as complete unit
- Fast setup with Minimal Crew
- Supporting deck platform with counterweight available

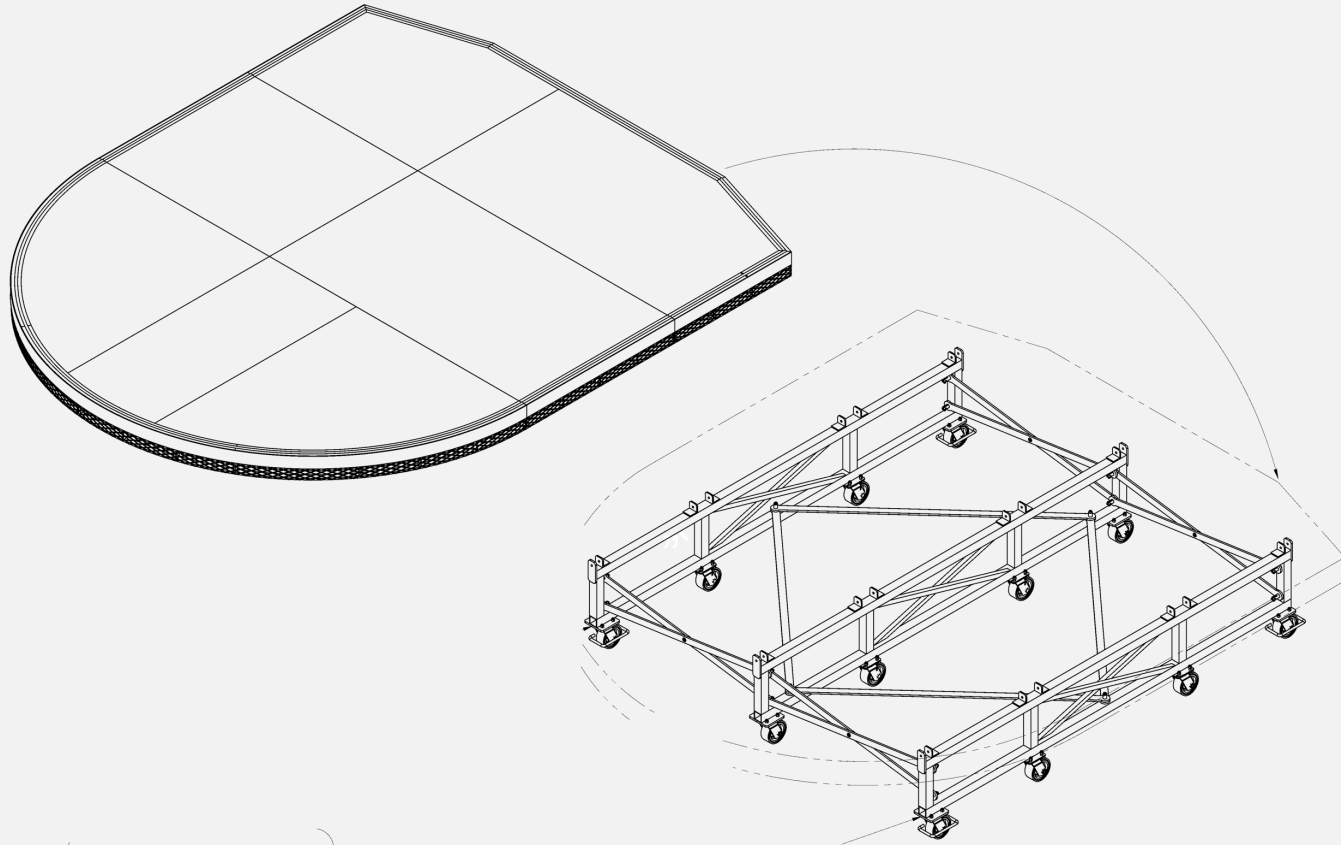
Drum Platform

Aluminum framed platforms with an optional drum lift.

- Engineered to integrate with any of PRG's staging equipment
- Designed to handle up to 6,000 lb live loads
- Optional scissor lift

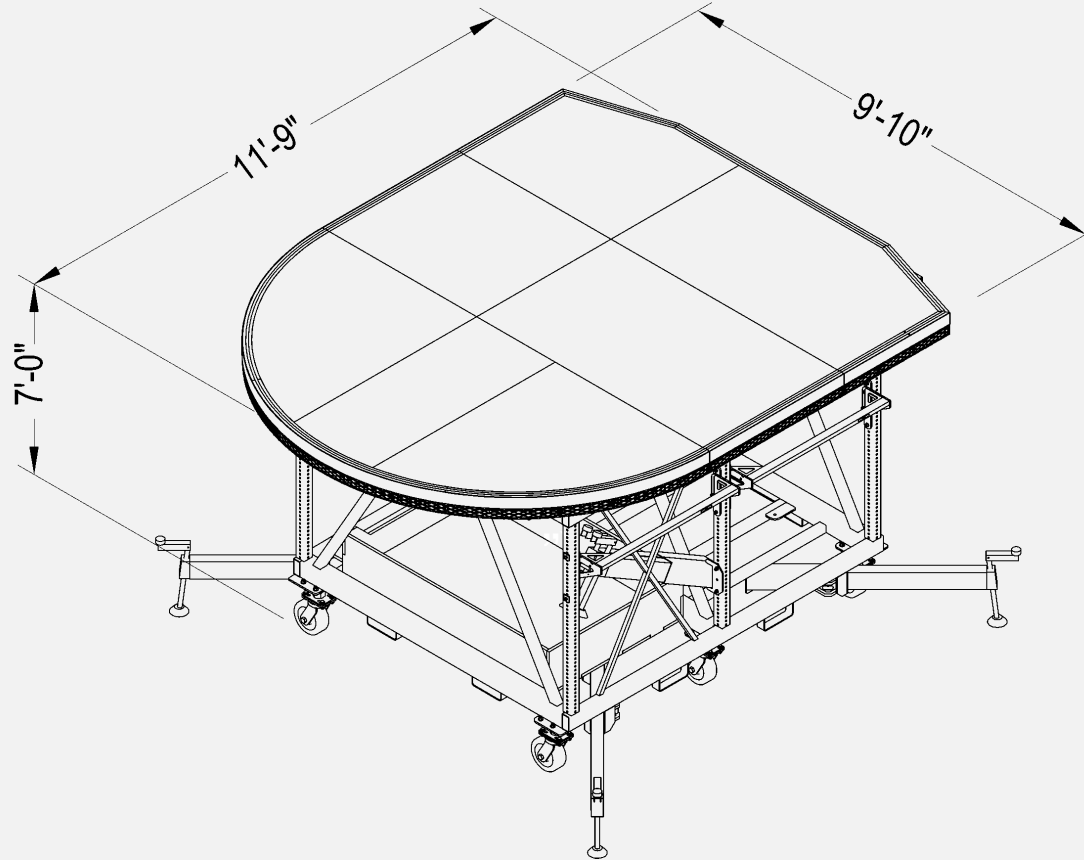


Static Drum Riser



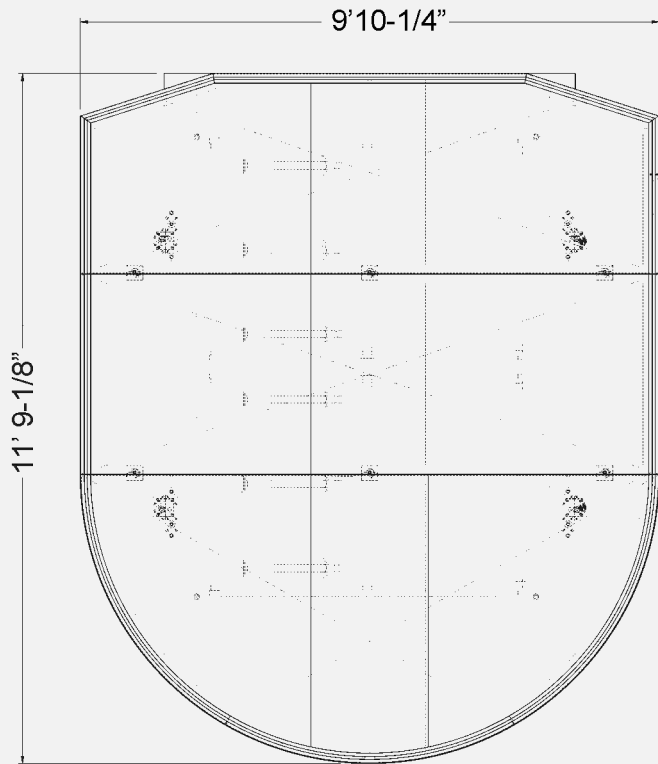
Static Drum Riser				
Length	Width	Height	Max Live Load (lbs)	Ecode
9'4-3/8"	7'-9"	24"		2.9091D-20

Hydraulic Drum Riser



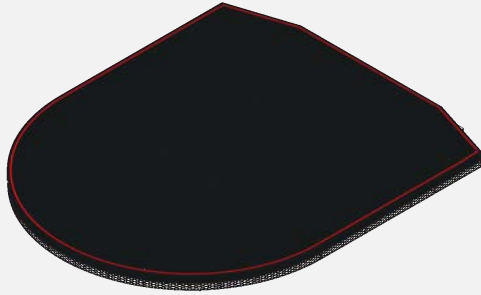
Hydraulic Drum Riser					
Length	Width	Height	Vertical Travel	Max Live Load (lbs)	Ecode
11'-9"	9'-10"	7'-0"	3'-8 ¾"		2.99H60

Drum Platform



Static Drum Platforms				
Platform	Width	Height	Max Live Load (lbs)	Ecode
Front	9' - 10 1/4"	24"	6,000	2.9091D-10
Center	9' - 10 1/4"	24"	6,000	2.9091D-11
Rear	9' - 10 1/4"	24"	6,000	2.9091D-12

Drum Platform



PRG's Drum Platform is a custom shaped carpeted platform ideal for use on any staging equipment. Optional scissor lift with 48" of travel and 6,000 lb capacity available. PRG's Drum Platforms are ideal for all markets including concert touring, corporate events, television and theatre.

Features

Quick and Easy Assembly

- Custom Shaped Drum Platform
- Carpeted
- RGB LED tape around perimeter
- Fork pockets in frame to allow for fork up to stage
- Optional scissor lift available

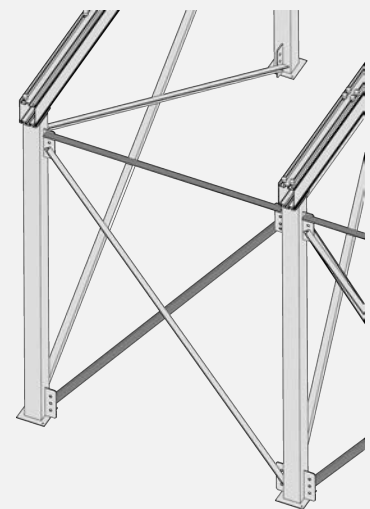
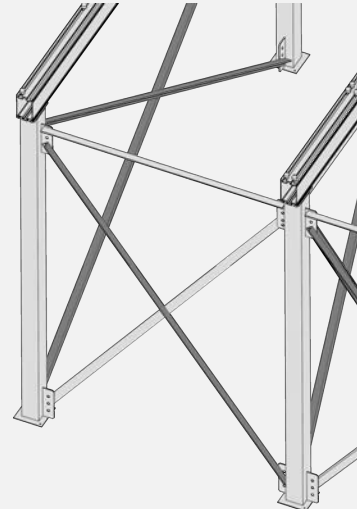
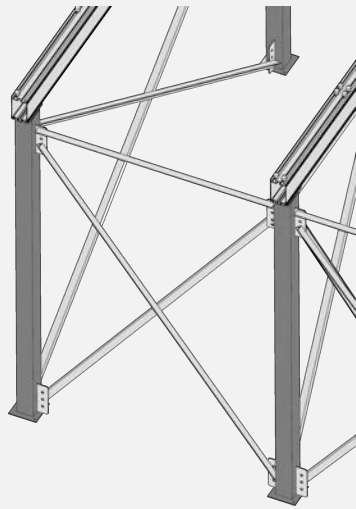
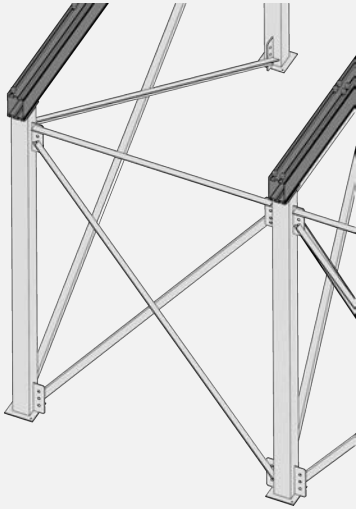
Relia-Beam

The most advanced staging system currently available.

- A light-weight and customizable staging support system
- Flexible, portable and reliable
- Fully compatible with PRG's stages



Relia-Beam



Relia-Beam	
Beam Size	Ecode
8'-0"	2.90534-108
16'-0"	2.90534-116
22'-0"	2.90534.122
24'-0"	2.90534.124

Relia-Beam Column	
Column Size	Ecode
10"x10"x10'-10"	2.90534-209
10'x14'x10'-10"	2.90534-249
12"x12"x10'-10"	2.90534.289

X-Brace	
X-Brace Size	Ecode
4'0" Cntr to Cntr	2.90534-304
8'0" Cntr to Cntr	2.90534-308
16'0" Cntr to Cntr	2.90534-316
4'0" Cntr to End	2.90534-404
8'0" Cntr to End	2.90534-408
16' Cntr to End	2.90534-416

Relia-Beam Horizontal	
Size	Ecode
8' Cntr to Cntr	2.90534-508
8' Center to End	2.90534-608

Relia-Beam



PRG's Relia-Beam System offers a fully customizable staging support system. Flexible and portable this system offers strength and durability and is also quick to assemble. The Relia-Beam System is engineered for safe, efficient and rapid deployment and is easily positioned and configured and seamlessly fits all of PRG's staging systems, including PRG's Rolling Stage and SC90 Staging System.

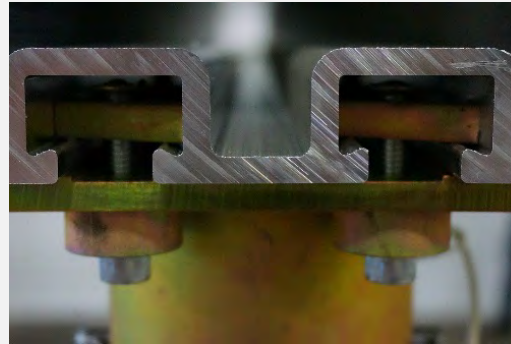
Constructed from lightweight 6061 Aluminum and designed for limitless set up options including orchestra pits, stage traps, VIP booths, tent flooring and much more. PRG's Relia-Beam system is ideal for all markets including corporate events, concert touring, television and theatre.



Features

Quick and Easy Assembly

- Lightweight 6061 Aluminum System
- Fully Customizable
- "Quick-Strike" Design For Set-Up and Tear Down with Minimal Crew
- Uniform Live Load up to 150psf



SC90 Stage

An indoor/outdoor, weather resistant stage system known for its durability.

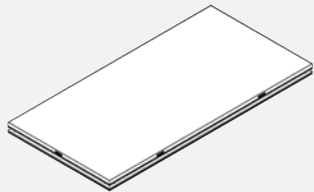
- Constructed of a patented aluminum extruded frame
- Reinforced with 1” plywood and aluminum backer
- Standard 4' x 8' (1.22m x 2.44m) with additional configuration options



SC90 Stage

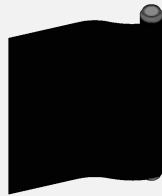
Standard Plywood Platforms

Platform Size	Ecode
1' x 4'	2.9093F-141
1' x 6'	2.9093F-143
1' x 8'	2.90496
2' x 2'	2.90501
2' x 4'	2.9093F-151
2' x 6'	2.9093F-153
2' x 8'	2.90510
4' Triangle	2.90525
4' x 4'	2.9093F-121
4' x 6'	2.9093F-131
4' x 8'	2.9093F
Custom configurations may be available. Call for details.	



Guardrail (Bike Rack Square)

Size	Ecode
2' Guardrail	2.90871
4' Guardrail	2.90873
6' Guardrail	2.90874
8' Guardrail	2.90875
Custom configurations may be available. Call for details.	



Guardrail (Bike Rack Round)

Size	Ecode
2' Guardrail	2.90892
4' Guardrail	2.90894
8' Guardrail	2.90898
Custom configurations may be available. Call for details.	



Guardrail (Open Horizontal)

Size	Ecode
4' Square	2.90884
8' Square	2.90888
6' Round	2.78153
8' Round	2.78150
6' Rodeo Style	2.908A6
Custom configurations may be available. Call for details.	

Stage Skirting (Black IFR)

Size	Ecode
32" x 96" W	2.9093S-328
36" H x 96" W	2.9093S-368
54" H x 192" W	2.9093S-54G
Custom configurations may be available. Call for details.	

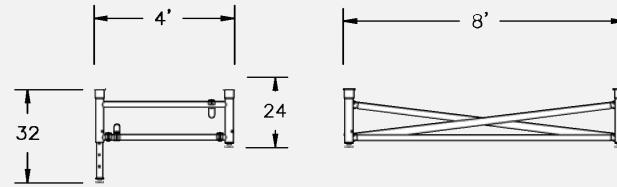
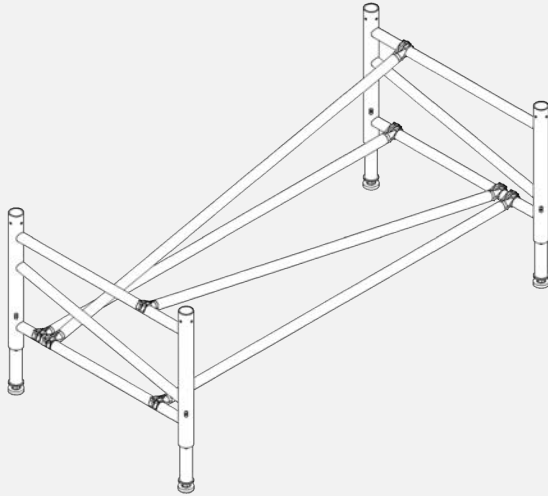
Adjustable Handrail for Stairs

Size	Ecode
5' Handrail	2.95455-10
8' Handrail	2.95458-10
Custom configurations may be available. Call for details.	

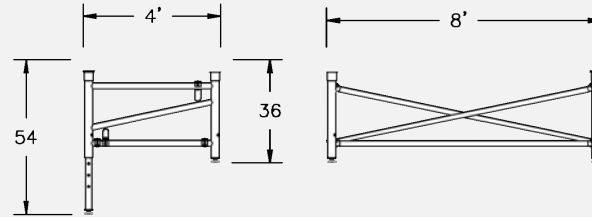
Platform (Poly Vinyl Black)

Size	Ecode
4' x 4'	2.90521
Custom configurations may be available. Call for details.	

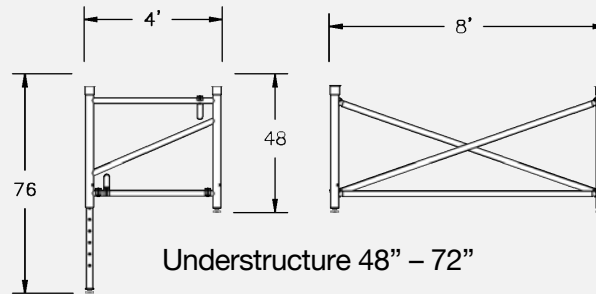
SC90 Stage



Understructure 24" – 32"



Understructure 36" – 54"



Understructure 48" – 72"

Understructure (4'x8')	
Height	Ecode
24" – 32"	2.90565
36" – 54"	2.90563
48" – 72"	2.90564

SC90 Stage Data Sheet



PRG SC90 Stage Deck is a flexible, portable stage that offers strength and durability and is also quick to assemble. The SC90 Deck is engineered for safe, efficient and rapid deployment and is easily reconfigured. The design is based on a standard 4'x8' (1.22m x 2.44m) size.

PRG's SC90 Deck is ideal for all markets including corporate events, concert touring, television and theatre. The SC90 Platform is constructed with an extruded aluminum frame that is combined with a sturdy 1" thick marine grade plywood substrate with an aluminum backer that provides a Class A fire rating. SC90 Platforms are available in a wide variety of sizes and is available for both indoor and outdoor applications.

Features

Quick and Easy Assembly

- Constructed with 1" thick marine grade plywood
- Top locking Roto-Locks provide monolithic floor with platforms are locked together
- Platform only needs support in four corners for quick setup
- Standard 4' x 8' (1.22MM x 2.44MM) platform allows for flexible size configurations
- Each 4' x 8' deck supports up to 125 lbs/square foot (610.3 kg/square meter)
- Platforms easily handled by two people

Stage Machinery

PRG SpeedStar™

Provides fully programmable
and reliable lifting options.

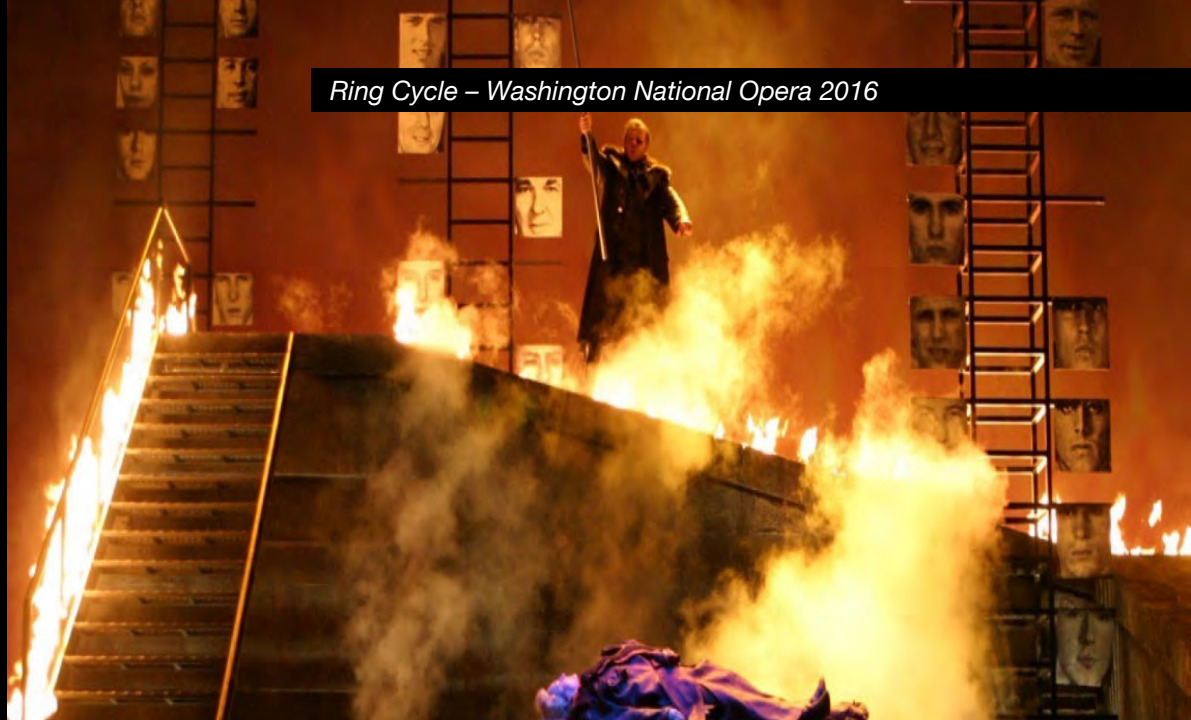
- Available in ½-Ton and 1-ton lifting capacities
- Engineered for safe and reliable lifting
- Seamless integration with PRG's Stage Command System™



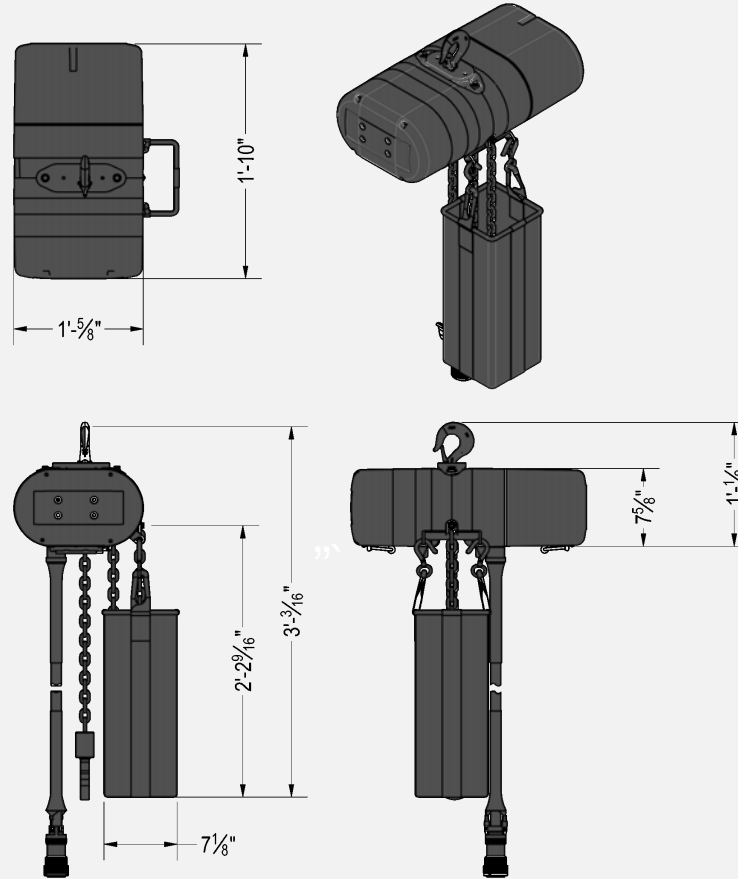
Tree of Codes – New York 2015



Ring Cycle – Washington National Opera 2016



PRG SpeedStar™



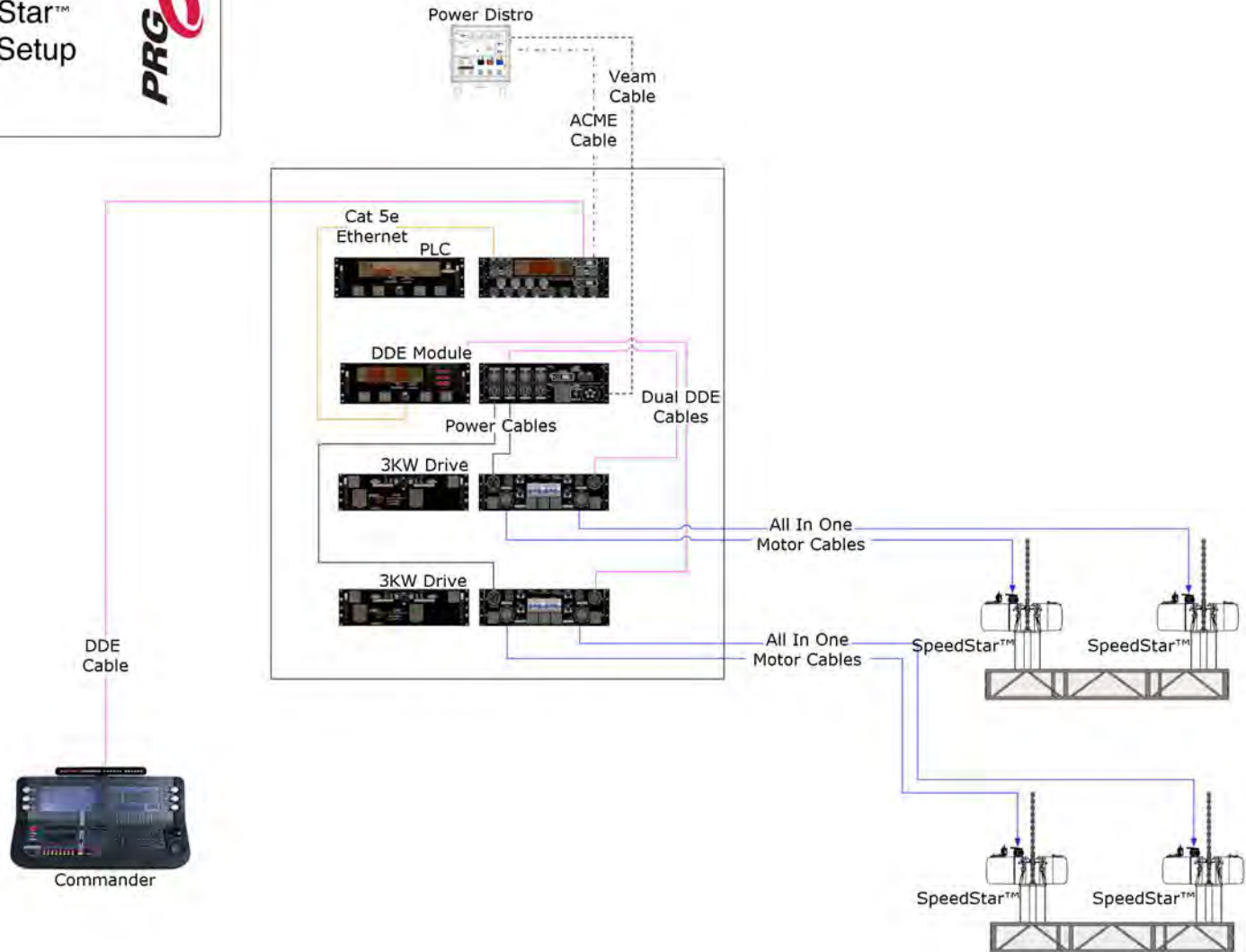
SpeedStar™							
Type	Capacity (lbs)	Length (inches)	Width (inches)	Height (inches)	Speed (feet per minute)	Weight (lbs)	Chain Lift (ft)
½-Ton	1000 lbs	23"	13"	8"	110 FPM	125 lbs	75'-0"
1-Ton	2000 lbs	23"	13"	8"	55 FPM	125 lbs	100'-0"

PRG SpeedStar™

Production Resource Group

SpeedStar™ System Setup

Version 2



PRG SpeedStar™



PRG's SpeedStar™ provide the end user with a high-quality option for their lifting needs. PRG has developed a variable-speed chain hoist that easily integrates with PRG's Stage Command System™ (SCS). PRG's SpeedStar™ are ideal for all markets including concert touring, corporate events, television and theatre.

Features

- ½-Ton and 1 –Ton Capacities
- Load-Monitoring
- Programmable Velocities, Acceleration and Deceleration Rates
- Soft Starts and Stops
- ½-Ton lifting speed, 0-22 inches per second, 0-110 feet per minute, 0-0.56 meters per second
- 1-Ton lifting speed, 0-11 inches per second, 0-55 feet per minute, 0-0.28 meters per second
- 5 pocket wheels assure smooth movement
- Utilizes PRG's Stage Command Software – offering the end user the highest levels of programmability, programming speed and life safety.

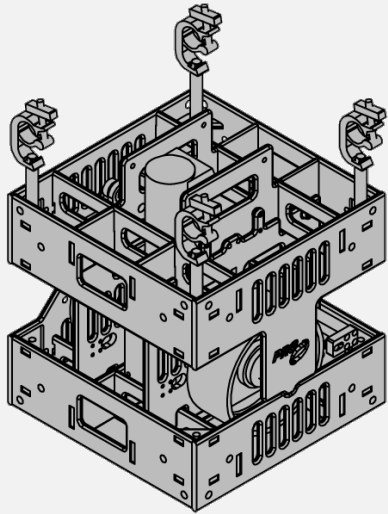
Winches

Provide speed and power when positioning scenic, lighting and rigging effects.

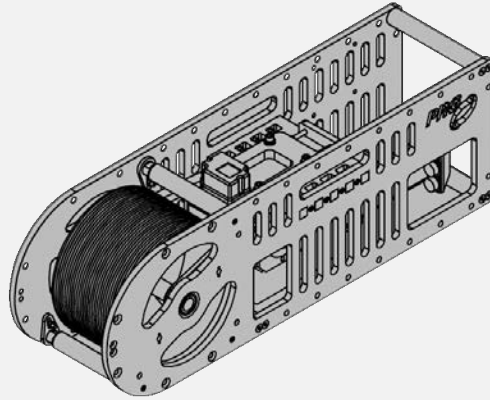
- Available in multiple styles
- Engineered for safety and reliability
- Seamlessly integrate with PRG's Stage Command System™



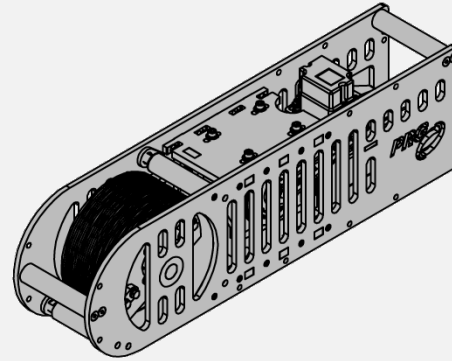
Winches



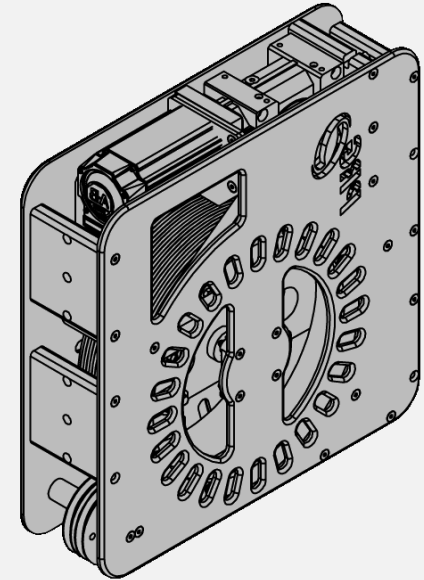
Model SCS-325-60



Model SCS-325-71



Model SCS-100/75-55



Model SCS-240-70

Winches

Model	Max Load Speed	Max Continuous Load Line Pull	Max Load Travel	Dimensions	Weight	Ecode
SCS-325-60	2.4fps (0.73mps)	325lbs (148kgs)	60ft (18m)	L21.25" x W21.25" x H24.59"	240lbs (109kg) *300lbs (136kg)	2.97011
SCS-230-71	6.1fps (1.9mps)	230lbs (105kgs)	71ft (21.6m)	L36" x W9.5" x H12"	153lbs (70kg)	2.97010
SCS-100/75-55	6fps (1.7mps)	100lbs (45kg) Horizontal 75 lbs (34kg) Vertical	55ft (17m)	L30"(36.75" w/ J-box) x W6.25" x H9"	77lbs (35kg)	2.97013
SCS-240-70	5fps (1.5mps)	240lbs (109kg)	70ft (21.3m)	L24" x W6.25" x H24"	110lbs (50kg)	2.9702D

*With secondary brake option

Winches



Model WAHL-0002

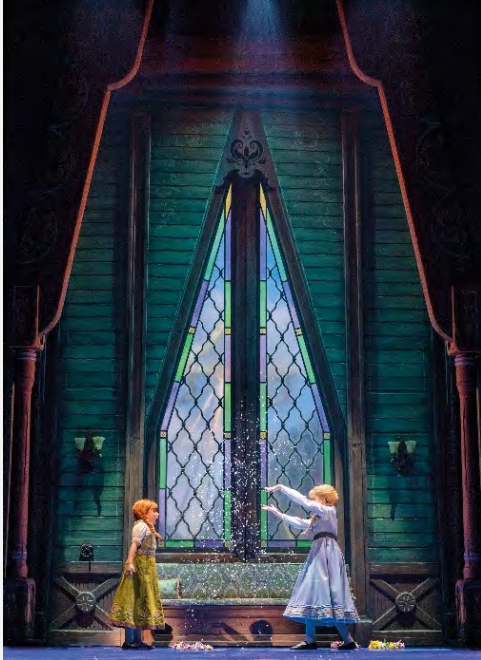


Model WAHL-0003

Winches

Model	Max Load Speed	Max Continuous Load Line Pull	Max Load Travel	Dimensions	Weight	Ecode
WAHL-0002	2"-22"/sec	11lbs (5kg)	33ft (10m)	L9.5" x W8.3"x H5.19"	11.5lbs (5.2kg)	
WAHL-0003	2"-12"/sec	22lbs (10kg)	33ft (10m)	L9.5" x W8.3"x H5.19"	11.5lbs (5.2kg)	

Winches



Frozen – First National Tour – 2019
PRG's PTO Winches – Arendelle Windows

PRG's Winches are available in a wide variety of models, from dead haul to counterweight assist, and more. PRG's versatile and powerful Winches are well suited for any entertainment production and are ideal for all markets including concert touring, corporate events, television and theatre.

PRG's SCS Winches are suitable for any entertainment production, corporate event or installation application. All are designed to be powerful yet compact, offering a versatile selection of dependable winches that can be incorporated into a broad range of scenic and production elements.

All PRG SCS Winches are designed for seamless integration into the Stage Command® System. SCS Winches provide speed and power (including full torque at zero speed), along with precision for positioning scenic, lighting and rigging effects safely and creatively. Each winch has a primary optical encoder, used by the Commander console system, which accurately converts the winch shaft rotation into fine control of speed and positioning. SCS Winches deliver exact repeatable positioning, smooth bi-directional motion and variable speed with programmable acceleration and deceleration. The complete line of SCS Winches has been engineered to be unsurpassed in reliability and safety.

Features

- Suitable for a wide variety of applications
- Powerful and compact
- Versatile and dependable
- Able to deliver exact, repeatable positioning, smooth bi-directional motion and variable speed.

©2020 PRODUCTION RESOURCE GROUP, LLC. ALL RIGHTS RESERVED. SPECIFICATIONS ARE SUBJECT TO CHANGE
WWW.PRG.COM

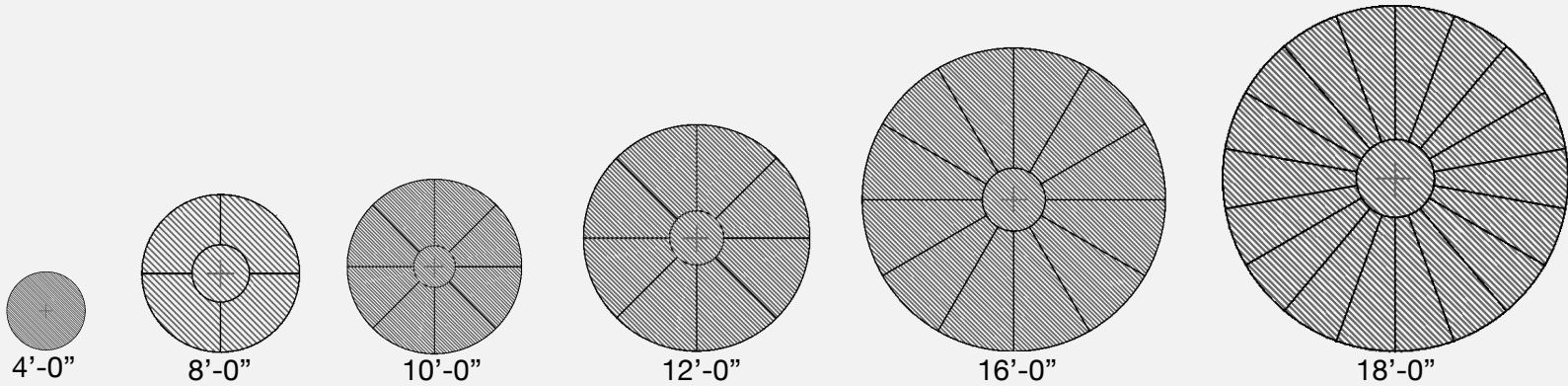
Turntables

A solution for applications in multiple markets, these range from 4' to 25' in diameter.

- Engineered for efficient and rapid deployment
- Provide safe and fluid motion
- Can be customized to fit your needs
- Designed to handle live loads



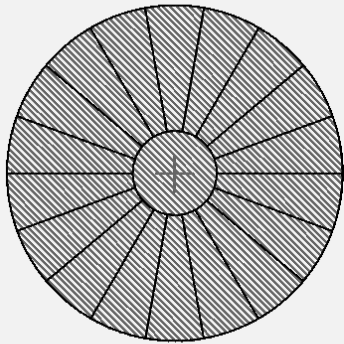
Turntables



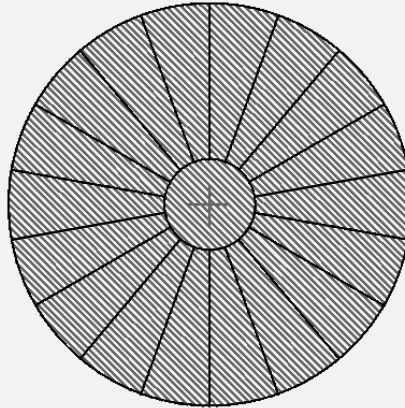
4'-0" – 12'-0"				
Diameter	Height	Drive Type	Max Live Load (lbs)	Ecode
4'-0"	10"	Internal	500	2.9094A
8'-0"	12"	Internal	1000	2.9094F
10'-0"	12"	Internal	1000	2.9094F
12'-0"	12"	Internal	1000	2.9094F

16'-0" – 18'-0"				
Diameter	Height	Drive Type	Max Live Load (lbs)	Ecode
16'-0"	8"	External	3500	2.9094H
18'-0"	8"	External	3500	2.9094H
18'-0"	8"	External	8000	2.9094L
18'-0"	15.5"	Internal	6000	2.9094P
18'-0"	19.5"	Internal	6000	2.9094Q

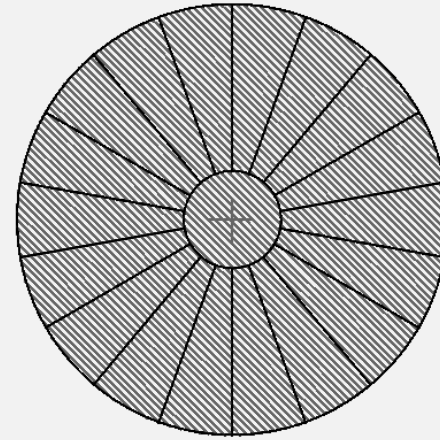
Turntables



20'-0"



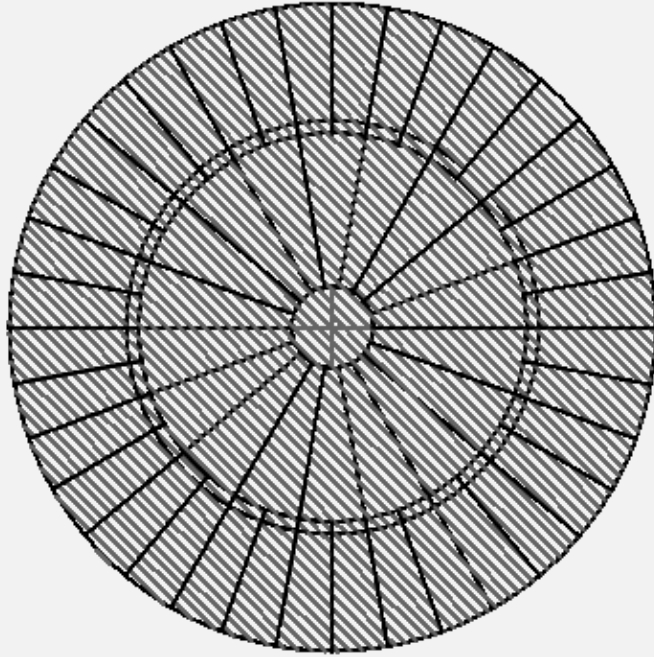
24'-0"



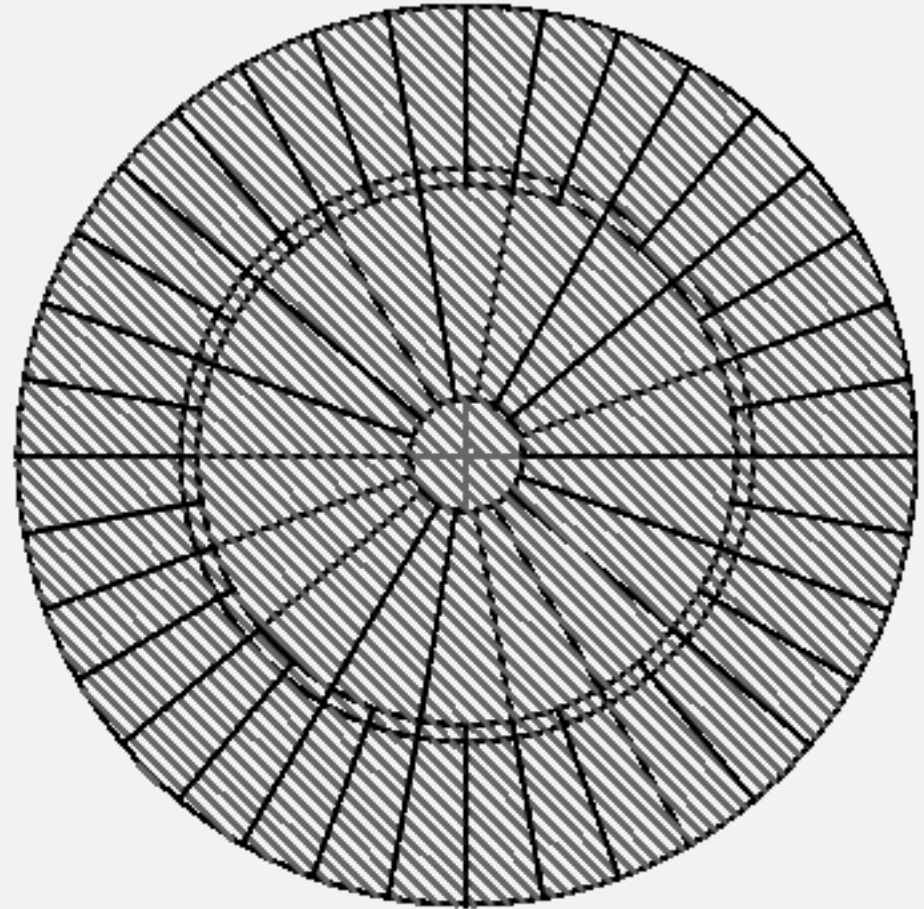
25'-0"

20'-0" – 25'-0"				
Diameter	Height	Drive Type	Max Live Load (lbs)	Ecode
20'-0"	15.5"	Internal	6000	2.9094P
24'-0"	8"	External	10000	2.9094V
25'-0"	9.25"	External	6000	2.9094X

Turntables



40'-0



60'-0

20'-0" – 25'-0"

Diameter	Height	Drive Type	Max Live Load (lbs)	Ecode
20'-0"	15.5"	Internal	6000	2.9094P
24'-0"	8"	External	10000	2.9094V
25'-0"	9.25"	External	6000	2.9094X

Turntables



PRG Turntables offer flexibility, durability and are also easy to assemble.

PRG Turntables are engineered for safe, efficient and rapid deployment and have easily configured variable speeds.

PRG Turntables are ideal for all markets including corporate events, concert touring, television and theatre. PRG Turntables are designed to travel easily on provided carts, dollies or pallets and can be easily set up with a small crew in as little as two hours time. Turntable motors are available in both DC or Servo Controllers and can be fully programmed in variable speeds.

Features

Quick and Easy Assembly

- Travels on Carts, Dollies or Pallets
- Some sizes available with surround
- Set up in as little as two hours with Minimal Crew
- Motors available with either DC or Servo Controller
- All Motors are Variable Speed

Turtle Rotator



Model WAHL-0003

Winches

Model	Max Load Speed	Max Continuous Load Line Pull	Max Load Travel	Dimensions	Weight	Ecode
WAHL-0002	2"-22"/sec	11lbs (5kg)	33ft (10m)	L9.5" x W8.3"x H5.19"	11.5lbs (5.2kg)	
WAHL-0003	2"-12"/sec	22lbs (10kg)	33ft (10m)	L9.5" x W8.3"x H5.19"	11.5lbs (5.2kg)	

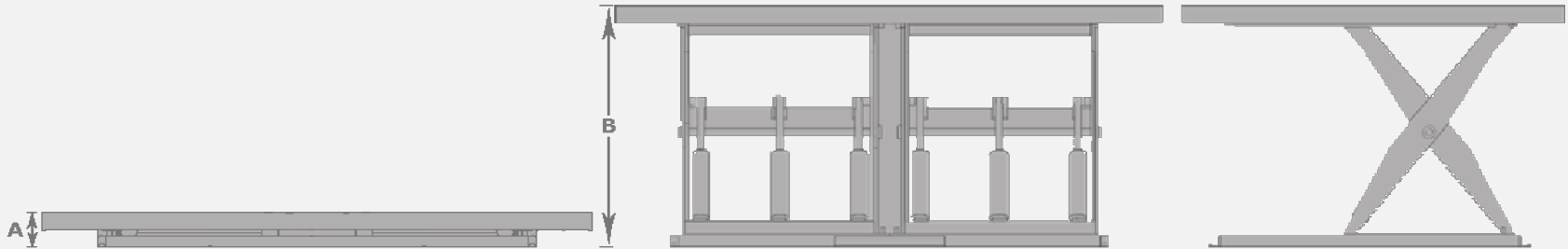
Lifts

Designed to lift or lower objects and people at a variety of speeds and weights.

- Engineered for controlled vertical movement
- Provides reliable, fluid motion
- Available in different sizes and speeds
- Can be customized
- Designed to handle live loads

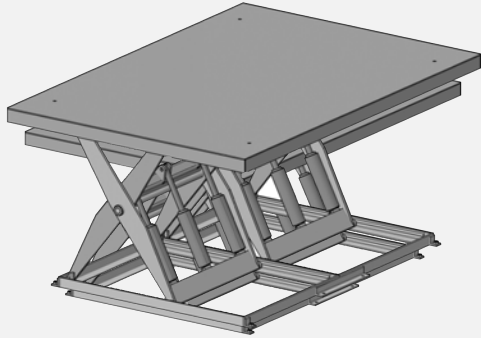


Lifts



PRG Scissor Lifts							
Platform Size	A (inches)	B (inches)	Total Height (inches)	Max Live Load (lbs)	Ecode	Speed Up (sec) w/ Full Load	Speed Down (sec) w/ Full Load
16.25" x 34"	6"	31"	37"	500	2.99A10	12.8	8.7
21" x 30"	7.5"	29"	36.5"	500	2.99A20	13.7	Gravity
30" x 72"	15"	96	111"	500	2.99A30	16	12
24" x 48"	6"	30"	36"	1000	2.99B25	-	Gravity
18" x 42"	6"	37"	43"	1250	2.99C25	19.5	7.7
18" x 42"	6"	37"	43"	2000	2.99C25	-	Gravity
48" x 102.5"	7"	72"	79"	2000	2.99C50	54	13
36" x 84"	8"	49"	57"	4000	2.99D30	4.7	12.6
58" x 92"	14"	110"	124"	4000	2.99D40	9.5	4
62" x 92"	14"	110"	124"	4000	2.99D45	-	Gravity
43" x 84"	10"	50"	60"	6000	2.99F40	-	Gravity
43" x 84"	17" / 23"	85"	102"/108"	6000	2.99F40	16	9
43" x 84"	17"	85"	102"	6000	2.99F40	13	9
72" x 132"	18.5	145.5"	164"	6000	2.99F55	-	-
84" x 120"	8.5	48"	56.5"	12000	2.99H60	19	22

Lifts



PRG's Lifts are available in a variety of sizes and speeds. Fully customizable, these lifts are designed to handle live loads and provide any live event with safe and fluid movement. PRG's Lifts are ideal for all markets including concert touring, corporate events, television and theatre.

Features

Quick and Easy Assembly

- Available in a wide variety of sizes and speeds
- Customizable lifts allow for endless options
- Able to handle live loads up to 12,000 lbs.

Drop Systems

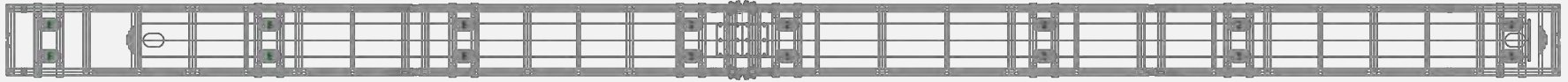
Roll Downs

Designed to provide a temporary and portable drop solution.

- Engineered for efficient and rapid installation
- A single unit solution for a portable and temporary backdrop
- Designed for seamless installation



Roll Downs



9'-3" Roll Down

Roll Down Size	Overall Length	Tube Diameter	Width	Height	Weight	Motor	Control	Fabric Capacity (approx)	Ecode
9'3"	10'-1"	6"	1'6-3/4"	10"	Call	15A SERVO	SCS*	30'-0"	-

*Stage Command™ System

12'-0" Roll Down

Roll Down Size	Overall Length	Tube Diameter	Width	Height	Weight	Motor	Control	Fabric Capacity (approx)	Ecode
12'-0"	15'-6"	5.25"	10"	1'-5"	275 lbs.	15A SERVO	SCS*	50'-0"	2.97720

*Stage Command™ System

21'-0" Roll Down

Roll Down Size	Overall Length	Tube Diameter	Width	Height	Weight	Motor	Control	Fabric Capacity (approx)	Ecode
21'-0"	25'-0"	10"	1'-8 1/2" **	1'-8 1/2" **	750 lbs.	15A SERVO	SCS*	100'-0"	2.97724

*Stage Command™ System

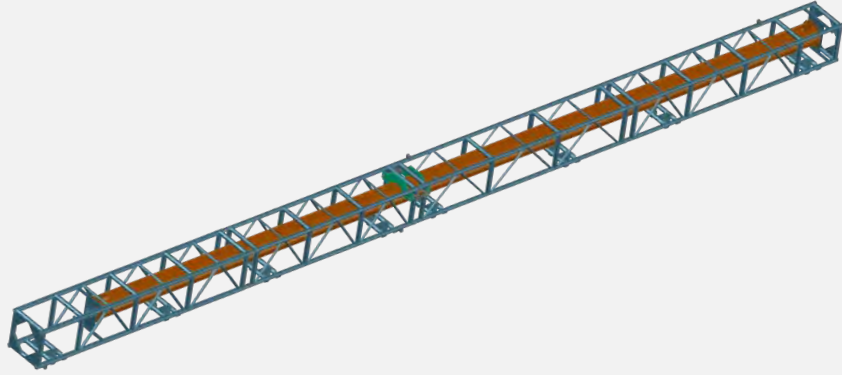
34'-0" Roll Down

Roll Down Size	Overall Length	Tube Diameter	Width	Height	Weight	Motor	Control	Fabric Capacity (approx)	Ecode
34'-0"	38'-0"	10"	1'-8 1/2" **	1'-8 1/2" ***	1,125 lbs.	15A SERVO	SCS*	100'-0"	2.97730

*Stage Command™ System

**Roll Down Units are fabricated to 1' 8 1/2" x 1' 8 1/2" Square Truss

Roll Downs



Ranging in size from 9'-3" up to 34'-0" wide PRG's Roll Downs are flexible, highly portable and quick to install. Engineered as a virtually self-contained units, PRG's Roll Downs are ideal for all markets including concert touring, television and theatre.

Features

Quick and Easy Installation

- Various sizes available
- Self-contained
- Travels as complete unit
- Fast setup with minimal crew
- 15 amp servo motors with a maximum speed of up to 3.5'/sec

DMX Roll Downs



7'-0" Roll Down

Roll Down Size	Overall Length	Tube Diameter	Width	Lifting Height	Max Speed	Signal	Control	Lifting Capacity (approx)	Ecode
7'0"	84"	8"	12"	39'-0"	36"/sec	DMX	SCS*	55 lbs.	2.97715

*Stage Command™ System

14'-0" Roll Down

Roll Down Size	Overall Length	Tube Diameter	Width	Lifting Height	Max Speed	Signal	Control	Lifting Capacity (approx)	Ecode
14'-0"	168"	8"	12"	39'-0"	36"/sec	DMX	SCS*	55 lbs.	2.97722

*Stage Command™ System

DMX Roll Downs



Ranging in size from 7'-0" up to 14'-0" wide PRG's DMX Roll Downs are flexible, highly portable and quick to install. Position, speed and operating range can be controlled using PRG's Stage Command System™. Engineered as a virtually self-contained units, PRG's DMX Roll Downs are ideal for all markets including concert touring, television and theatre.

Features

Quick and Easy Installation

- Self-contained
- Travels as complete unit
- Easily spliced for lengths up to 39'-0"
- Fast setup with minimal crew
- 55 lb. working load limit and a maximum speed of up to 39"/sec
- 5 pin DMX input and pass through

Kabuki

A lightweight fabric is quickly dropped from above, revealing products or performers.

- Engineered for the demanding needs of touring productions
- Available in varying styles of release to create the desired visual
- Single or multiple release point options



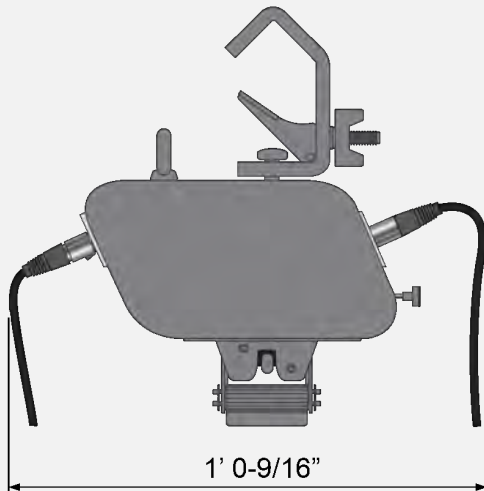
Kabuki Systems Gerriets G2



Gerriets G2 Kabuki Curtain Drop System

Name	LED Integrated	Release Load Rating Per Unit (lbs)	Ecode
G2	Yes	22 lbs	2.7814J

Kabuki Systems Gerriets



KABUKI G2 is the Gerriets system for reliably dropping any type of curtain in a fraction of a second. The newly developed, electronically controlled, and extremely quick KABUKI G2 system allows load ratings up to 22 lbs. per release unit. That means 100 % higher load ratings than previous systems.

A LED integrated into the bottom of the release unit is now standard. This added feature gives a visual confirmation from below that the unit is ready to be fired.



Features

- Reliable and Fast Within a Fraction of a Second
- Higher Load Ratings
- LED Integrated Release Units Ensure Fast Deployment Every Time

©2015 PRODUCTION RESOURCE GROUP, LLC. ALL RIGHTS RESERVED. SPECIFICATIONS ARE SUBJECT TO CHANGE
WWW.PRG.COM

Kabuki Systems Howard Eaton



Kabuki Howard Eaton 3M System

Name	LED Integrated	Release Load Rating Per Unit (lbs)	Ecode
HELL Kabuki	No	22 lbs	2.7814X-

Kabuki Systems Howard Eaton



PRG's Howard Eaton Power Drop Kabuki System is a reliable and innovative "plug and play" single unit drop system. Each Power Drop has a powercon in-out connector to control them separately or linked together in one line.

The Howard Eaton Kabuki System is 120 volts AC and provides a 24v signal out.

Features

Easy Assembly

- Truss Mount or Heavy Duty Clamp Attachment Option
- Units Weigh Less Than 40 lbs
- Electric Controlled via Control Box

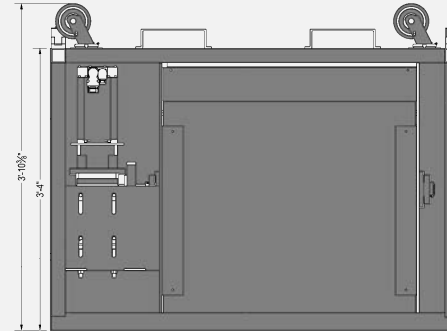
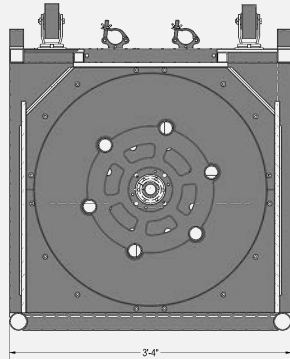
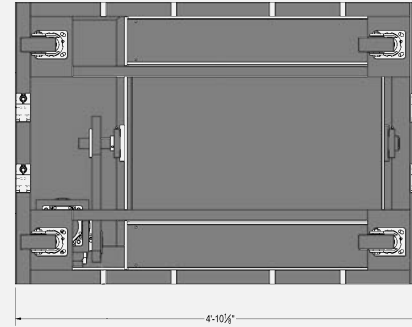
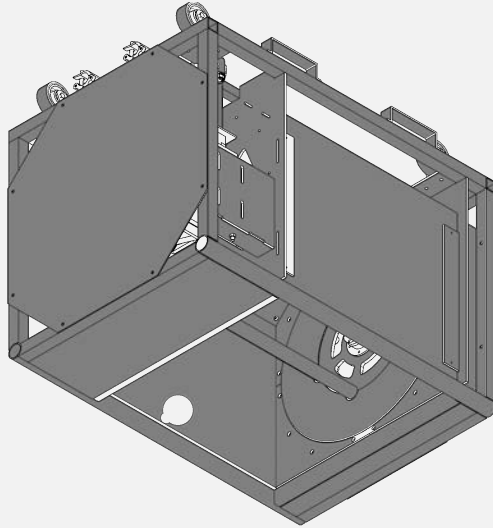
Sniffer

The reverse of a Kabuki, this effect is a light-weight fabric that's quickly pulled up from the stage deck.

- Engineered for rigorous touring environments
- Designed to work in conjunction with PRG's Kabuki products
- Easy to deploy
- Compact packaging



Sniffer



Sniffer Effect

Length	Width	Height	Weight	Max Drop Size	Ecode
4'10-1/8"	3'-4"	3'-4"	600 lbs.	40' x 80' Poly Silk	2.9701V
4'10-1/8"	4'-4"	4'-4"	800 lbs.	40' x 80' Poly Silk	

Sniffer



PRG's Sniffer works with our Kabuki System to offer a one of a kind reveal effect for your next production, event or concert. PRG's Sniffer is ideal for all markets including concert touring, television and theatre.

Features

Quick and Easy Assembly

- Seamless integration when used with PRG's Kabuki System
- Able to lift Poly Silk drops up to 40' x 80' seamlessly
- Rapid deployment for big reveals
- Engineered to withstand the most rigorous show environments

Automation Control

PRG Stage Command System™

We set a new standard for stage automation in 1988 when we introduced Stage Command, our patented motion control system, on *Phantom of the Opera*.

- Engineered to execute the most complex motion control cues with accuracy, repeatability and unparalleled safety
- Cue-based SCS software allows seamless transitions in full view of the audience
- Ideal for concert touring, corporate events, television and theatre



Stage Command Console

Commander Automation Console



Commander Automation Console

Screens	Ext. Monitors	Additional Monitors Available	Ecode
2 @ 12" ea	1 @ 30"	Yes	

Features

- Cue-Based Software
- Two built in 12" monitors
- One 30" External Monitor
- Available additional External Monitors
- 3D Visualization for Real Time Viewing
- True-Time Based Control of Automation
- Fluid Movement of Large Scenic Elements

The PRG Commander console is an ideal control solution for any motion control application. It provides a powerful hardware and software platform that is reliable, accurate and extremely user-friendly.

The Commander's software, housed in an elegant and ergonomic desk, is designed to make programming and operation of all automated elements seamless, safe and consistently repeatable. The Commander combines the power of the cue-based PRG Stage Command System™ software with superb graphics, faster processing and an intuitive user interface. The Commander's design offers the ability to bring the motion control programmer to the front of house during the creative process so designers and directors can easily integrate motion into the overall design process on any production. The Commander also offers 3D visualization for real-time viewing or previsualization of motion control programming.

All the displays on the Commander present data in quick and easy-to-read formats. Two 12" built-in touchscreens and one 30" external monitor are standard and an additional 30" external monitor is available for 3D visualization.

The console provides true time-based control of automation so the operator can, at any time, slow or stop a cue. Operators have control of movement programmable to increments of 1/10th of an inch. The Commander can control the full range of motion effect devices including: closed and open loop devices, electric winches, hydraulic and pneumatic effects, variable-speed chain hoists, and AC and DC motors.

The PRG Stage Command System™ software has full acceleration and deceleration, which manages inertia of large scenic elements, allowing fluid movement and a controlled "hard" stop.

V-Command Console

V-Command Console



V-Command Automation Console

Screens	Ext. Monitors	Additl. Monitors Available	Ecode
Single	No	No	

Features

- Cue-Based Software
- PC Touch Screen
- True-Time Based Control of Automation
- Fluid Movement of Large Scenic Elements
- All in one PLC/CLX
- SIL3 Capable

New to the family of PRG Stage Command System™ the PRG V-Command Console provides a smaller option to the full size Commander Console without sacrificing quality or functionality. With a single PC and touch screen monitor all in one the PRG V-Command provides the same powerful functions as the full size Commander within a smaller more portable footprint. The PRG V-Command Console utilizes the same cue based software as the entire line of PRG Stage Command System™ products and is recommended for use in shows up to 40 effects.

The V-Command provides precision tactile control with keys, faders, and encoders to any computer running Commander V6.x software. Programming and execution of motion is intuitive to new users, yet familiar to the more experienced programmer. This hardware solution integrates seamlessly with the intuitive Commander graphical interface. Paired with a range of processors, the V-Command provides control to handle any size production with ease and safety.

V-COMMAND V6.x SOFTWARE

Version 6.x of the V-Command software builds upon earlier releases. New enhancements include touch and gesture operation integrated into intuitive menus and graphics. Version 6.x adds Look-Based motion control in addition to standard Cue-Based execution. Ideal for concert touring, studio, and busy production venues, Look-Based functionality is designed for where the order and timing of movement is either unknown or constantly changing. Under the hood of V6.x changes have been made to allow control stations. Database management is automatically handled between stations ensuring that each point of control has the most recent data. A dedicated database server is not needed.

Powerful and flexible, PRG's Commander V6.x is the next step forward in motion control.

Mini Commander Console

Mini Commander Automation Console



Mini Commander Automation Console

Screens	Ext. Monitors	Additl. Monitors Available	Ecode
Single	No	No	

Features

- Cue-Based Software
- PC Touch Screen
- Built for movement of up to eight effects
- True-Time Based Control of Automation
- Fluid Movement of Large Scenic Elements
- All in one PLC/CLX
- SIL3 Capable

The Mini Commander provides the same reliability and repeatability as PRG's Commander Console, but in a smaller package. The Mini Commander's full acceleration and deceleration features managed the inertia of the screens allowing for fluid control, as well as a controlled hard stop. The PRG Mini Commander console is an ideal control solution for many small scale motion control applications.

The PRG Mini Commander is an all in one PC with integrated touch screen controls capable of moving up to eight effects and is ideal for concert touring, corporate events, television and theatre. The console provides true time-based control of automation so the operator can, at any time, slow or stop a cue. Operators have control of movement programmable to increments of 1/10th of an inch.

Built-in safety features include a prominent E-Stop button located on the front panel. Like the larger version, the Mini Commander Console is used for automated control of closed-loop and open-loop devices commonly used in stage productions. Devices such as electric winches, hydraulic valves, pneumatics, on/off switches and chain motors can be controlled using the console's software features.

Stage Command Pendant Control

8-Way Pendant Control



The 8-Way Pendant is a handheld remote device that communicates with the Commander Console. Faults, motion profile, and current position information for any axis can be viewed from this device. Existing targets can also be selected, so that an axis can be remotely moved to a new position. The device also provides a means to jog an axis and has E-stop capability.

Features

- Handheld Portable Devices
- Work With All The Commander Consoles
- Provides Feedback of Faults, Current Position and Motion Profile
- E-Stop Capability

Stage Command Micro Commander Pendant Control

Micro Commander Pendant Control



The Micro Commander is a handheld remote device with a 5-inch touchscreen interface that communicates with the Commander Console. Faults, motion profile, and current position information for any axis can be viewed from this device. Existing targets can also be selected, so that an axis can be remotely moved to a new position. The device also provides a means to jog an axis and has E-stop capability.

The Micro Commander can be used to view faults, motion profile, and current position information for any axis.

Features

- Handheld Portable Devices
- Work With All The Commander Consoles
- Provides Feedback of Faults, Current Position and Motion Profile
- E-Stop Capability

Stage Command Drive Racks



Features

- Wide Variety of Motion Control
- 3kW and 7kW drives available
- Motion Effects include Winches, Turntables, Lifts and much more
- Custom Designed Road Cases Assure Safe Travel
- Fully integrated Emergency Stop system

PRG's Drive Rack can drive a wide variety of motion control and automated effects in the PRG Stage Command System™. As with all the SCS components, the Drive Rack's design reflect PRG's expertise in the practical operations of motion control for a wide range of effects used in a broad spectrum of productions and applications. Each Drive Rack contains a motion controller, the required drive (either an AC or DC servo drive) that matches the winch being used, the Emergency Stop (E-Stop) components and power distribution. The PRG Drive Racks are configured to the specific motion control system's needs and are capable of being used in long-running and permanent installations.

DRIVERS

The PRG Drive Rack can house either four 3kW drives or two 7kW drives depending upon the horsepower of the specific motor being driven. The 3kW Drive Rack will drive four axes of motion and the 7kW Drive Rack will drive two axes of motion. Among the many motion effects driven by the Drive Rack are AC and DC Winches, Dogs, Turtle Rotators and Chain Hoists.

HOUSING

The drivers are housed in a custom-designed roadcase, which allow them to stand up to the rigors of touring and transport without damage. Plexiglas interior doors provide the operator with easy access to the secure housing for the electronics, allowing for easy troubleshooting and service.

E-STOP

The PRG Stage Command System™ incorporates a full Emergency Stop system (E-Stop). The E-Stop circuit is a hard-wired system, integral to the SCS, but independent of the control, making it a vital safety feature.

Stage Command PLC



An essential component in the PRG Stage Command System™ control chain, the Programmable Logic Controller (PLC) Cube is an industrial digital computer used by PRG to provide the Go/No Go safety check. PRG's first priority in any application is safety. To ensure reliable and safe operation of all motion control elements the PLC verifies that parameters for cue execution are met before sending the control signal to the SCS Drive Rack.

If one of the pre-programmed parameters is not met, the PLC will prevent the cue from being executed. The PLC Cube is designed for 24/7 operation, extended temperature ranges, immunity to electrical noise as well as resistance to vibration and impact. PRG's uses industrial-grade Rockwell Automation PLCs housed in a rugged road case cube with interior Plexiglas doors to protect the PLC components and allow for ease of transport. This well-designed PLC configuration provides a stable, reliable and roadworthy system show after show for any production application and is also well suited for permanent installations.

E-STOP

The PRG Stage Command System™ incorporates a full Emergency Stop system (E-Stop). The E-Stop circuit is a hard-wired system, integral to the SCS, but independent of the control, making it a vital safety feature.

INFORMATION FLOW

The PLC cube coordinates information transfer between the PRG Commander console, peripheral devices, motion controllers and E-Stop components.

Features

- Provides Go/No Go Safety Check to Entire SCS System
- Designed for 24/7 Operation
- Ensures Reliable and Safe Operation of All Motion Control Elements
- Custom Designed Road Cases Assure Safe Travel
- Fully integrated Emergency Stop system

Carts & Dollies

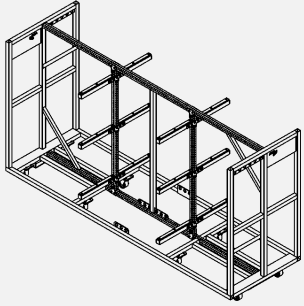
Carts & Dollies

Designed to move staging components quickly and easily.

- Engineered for safe and efficient transportation of scenery and equipment
- Available for a variety of applications
- Facilitates compact truck packs for touring

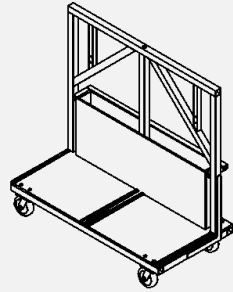


Carts & Dollies



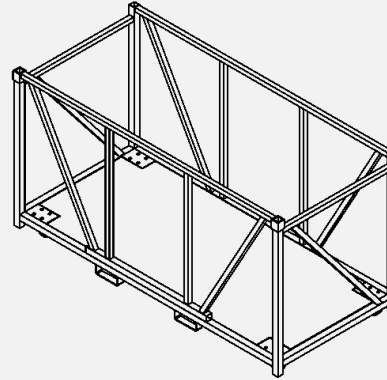
Curved Truss Cart

Length	Width	Height	Ecode
8'-0"	3'-9"	6'-6"	
10'-0"	3'-9"	6'-6"	2.74428
12'-0"	3'-9"	6'-6"	2.74429
14'-0"	3'-9"	6'-6"	



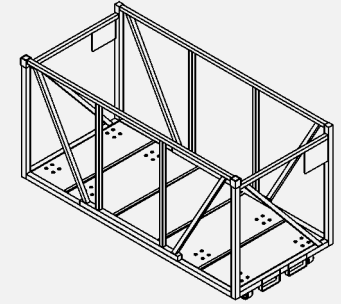
Ballroom Cart

Length	Width	Height	Ecode
4'-9"	2'-5"	5'-2"	2.90531910



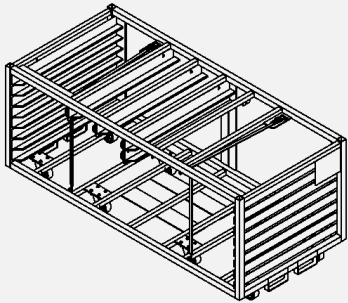
Platform Storage Cart – SC-90

Length	Width	Height	Ecode
4'-9"	2'-5"	5'-2"	



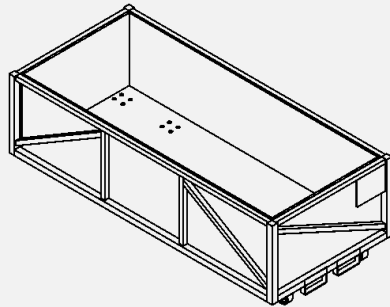
Rolling Stage Platform Cart

Length	Width	Height	Ecode
8'-5"	3'-10"	4'-5 7/8"	2.90503



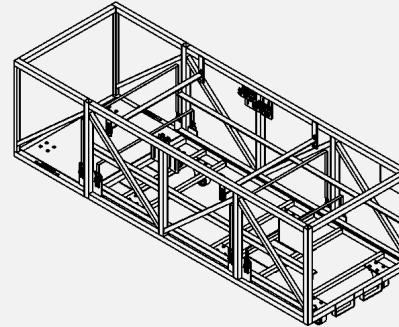
Rolling Stage Railing Cart

Length	Width	Height	Ecode
8'-4 1/2"	3'-9 3/4"	3'-6 1/2"	2.90879



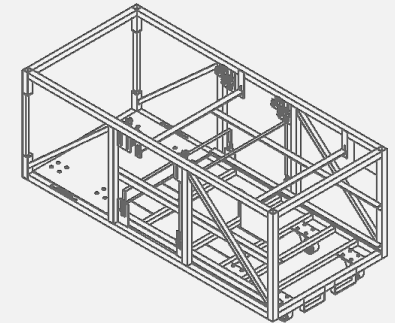
Rolling Stage Supply Cart

Length	Width	Height	Ecode
8'4 1/2"	3'-9 3/4"	2'-7 3/8"	



Rolling Stage Stair Cart Long

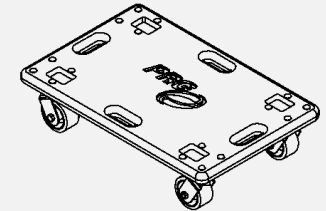
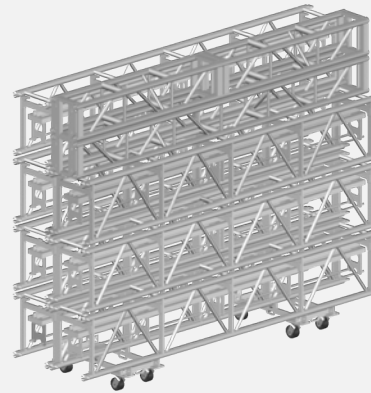
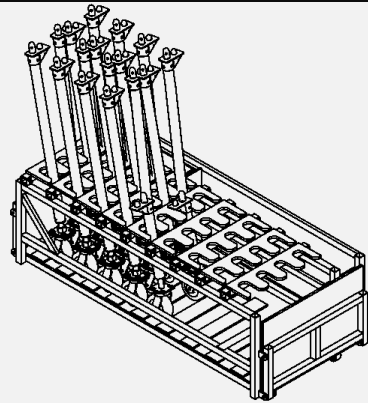
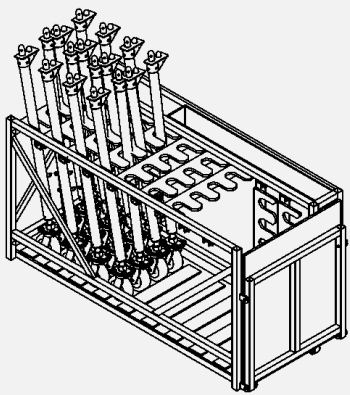
Length	Width	Height	Ecode
11'-10"	3'-9 3/4"	3'-6 11/16"	2.90531



Rolling Stage Stair Cart Short

Length	Width	Height	Ecode
8'-4 1/2"	3'-9 3/4"	3'-6 11/16"	

Carts & Dollies



Rolling Stage Leg Cart

Length	Width	Height	Ecode
8'-3 1/4"	3'-8"	4'-7 9/16"	2.90531

Rolling Stage Leg Cart Dbl Doors

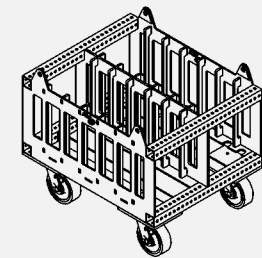
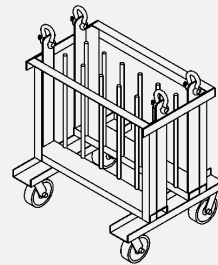
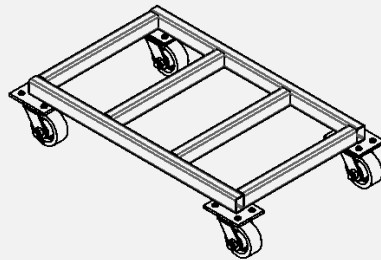
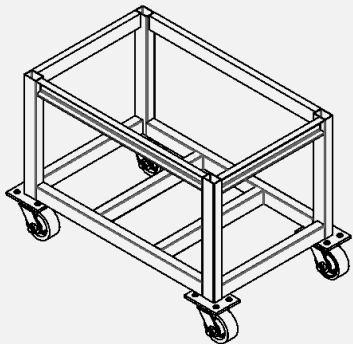
Length	Width	Height	Ecode
8'-1 1/2"	3'-7 15/16"	2'-9 9/16"	2.90531

CT Truss Dolly

Length	Width	Height	Ecode
2'-8"	1'-4"	9.25"	2.9655H

Plywood Shop Dolly

Length	Width	Height	Ecode
2'-5"	1'-7"	7-1/8"	2.7330H



Steel Shop Dolly - High Boy

Length	Width	Height	Ecode
4'-5"	2'-10"	2'-10"	

Steel Shop Dolly - Low Boy

Length	Width	Height	Ecode
4'-5"	2'-10"	11"	

Counterweight Dolly

Length	Width	Height	Ecode
2'-8 3/4"	2'-4"	3'-1"	2.9A904

Chitty Counterweight Dolly

Length	Width	Height	Ecode
2'-7"	2'-1 3/8"	4'-4"	

Carts & Dollies



PRG's Carts and Dollies offer a variety of moving solutions for many types of staging components. Fabricated with their standard heavy duty casters, PRG's Carts and Dollies are ideal for all markets including concert touring, corporate events, television and theatre.

Features

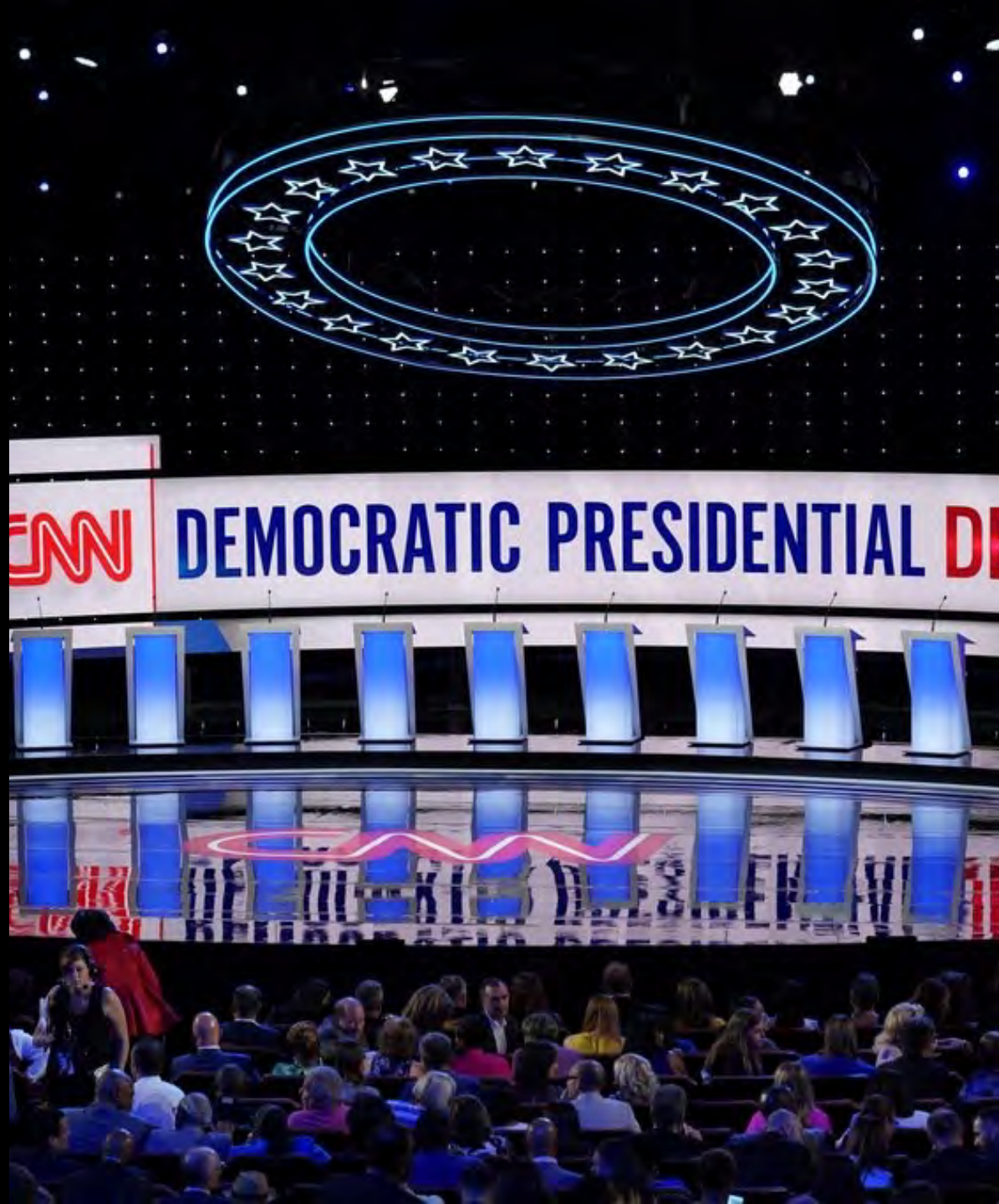
- High quality steel construction
- Heavy duty swivel casters
- Available in a wide variety of configurations
- Fork Pockets

Set Electrics

Set Electrics

Creating lighting solutions installed in scenic elements.

- Engineered to accommodate any lighting challenge in an endless number of production settings
- Offer a variety of lighting options from off-the-shelf LED products to custom-lighting solutions
- Ideal for all markets including concert touring, corporate events, television and theatre



Mark Peterson

GM, Sales & Business Development
(845) 567-5759
mpeterson@prg.com

539 Temple Hill Road
New Windsor, NY 12553

Kyle Garrelts

GM, Engineering & Operations
(702) 942-4793
kyle.garrelts@prg.com

5920 S Valley View Blvd
Las Vegas, NV 89118

Cody Ogden

Rentals Manager
(845) 567-5717
cody.ogden@prg.com

Dan Aquilar

Rentals Manager
(702) 942-4480
daquliar@prg.com

