

1 TOP/PLAN
Scale: 1/4" = 1'-0"

This document and the ideas and design incorporated herein, as an instrument of professional service, is the property of PRG and is not to be used, in whole or part, for any other project without the written authorization of PRG. This document is not to be reproduced or modified in any way without prior written consent of PRG.

This design or drawing represents visual concepts only. PRG or the drafter is not a licensed engineer and is not qualified to determine whether the designs and/or drawings meet structural, safety and/or building code requirements. All weight calculations are estimated, for accurate weights a dynamometer must be used. PRG does not assume responsibility for the structural integrity of the designs or for elements and equipment required in connection with the designs.

NOTES:

Scenario A - 8000 lbs total capacity!

P.TO-101_OVERVIEW



1245 Aviation Place, San Fernando, CA 91340 - Phone: 818-252-2600
www.prg.com

PROJECT: PRG REHEARSAL SPACE LOS ANGELES		PROJECT MANAGER:	SHOW DATE:
VENUE: PRG AVIATION		DRAWN BY: GW/BVB	DATE:
CLIENT:	LOCATION: DEMO ROOM	PROJECT NO.:	SHEET:
ACCOUNT EXECUTIVE:		SCALE:	FILE NAME:

Grapple to main truss

19'-0"
[5791]

Scaffold Jack x 4

3 Tower Leg
Scale: 1/2" = 1'-0"

2 TOP/PLAN
Scale: 1/4" = 1'-0"

This document and the ideas and design incorporated herein, as an instrument of professional service, is the property of PRG and is not to be used, in whole or part, for any other project without the written authorization of PRG. This document is not to be reproduced or modified in any way without prior written consent of PRG.

NOTES:

Scenario B - Total capacity 13,700 lbs. Note that tower legs are installed!

This design or drawing represents visual concepts only. PRG or the drafter is not a licensed engineer and is not qualified to determine whether the designs and/or drawings meet structural, safety and/or building code requirements. All weight calculations are estimated, for accurate weights a dynamometer must be used. PRG does not assume responsibility for the structural integrity of the designs or for elements and equipment required in connection with the designs.

P.TO-102_OVERVIEW

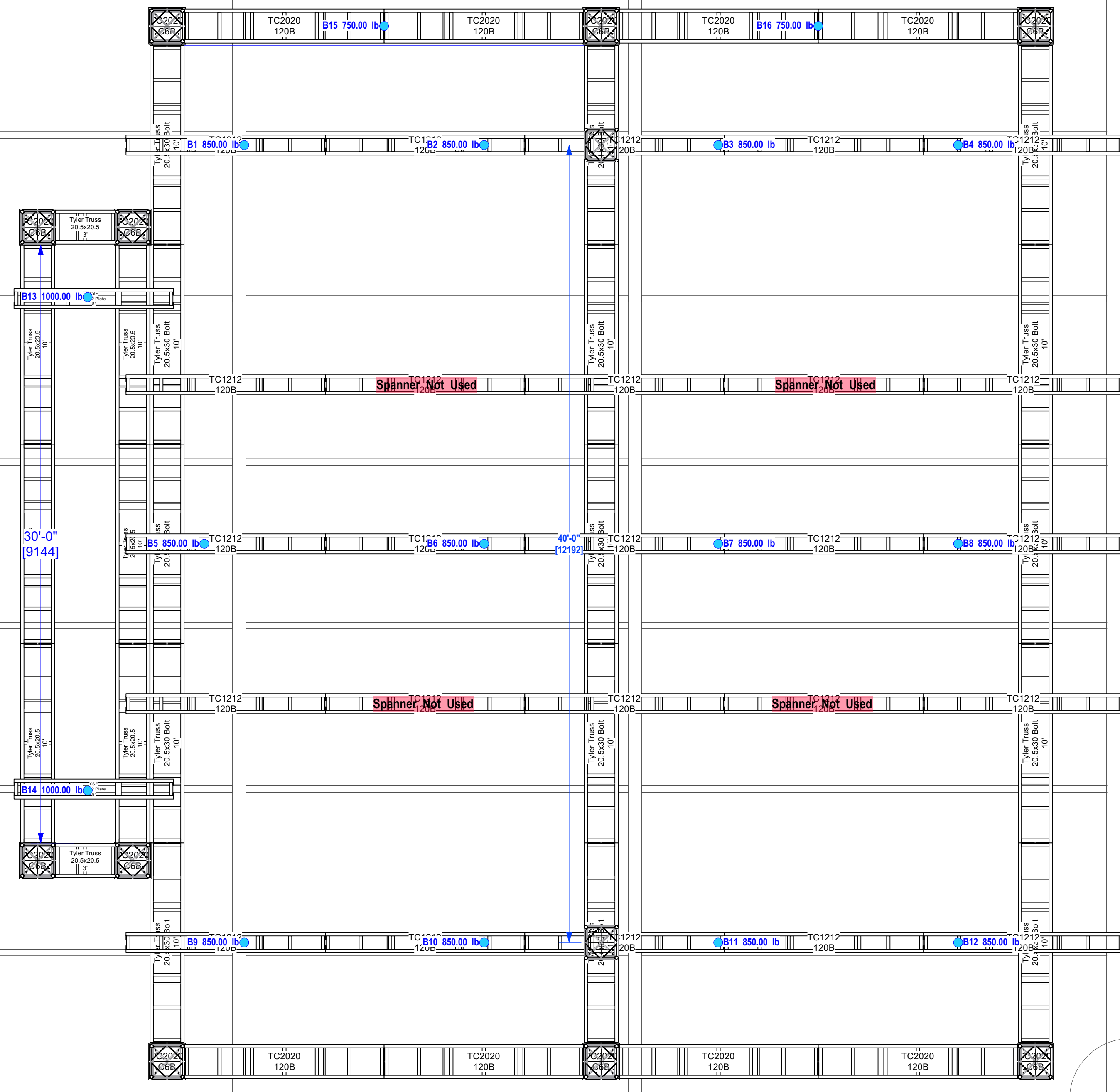


1245 Aviation Place, San Fernando, CA 91340 - Phone: 818-252-2600
www.prg.com

PROJECT: PRG REHEARSAL SPACE LOS ANGELES		PROJECT MANAGER:	SHOW DATE:
VENUE: PRG AVIATION		DRAWN BY: GW/BVB	DATE:
CLIENT:		PROJECT NO.:	SHEET:
ACCOUNT EXECUTIVE:		SCALE:	
		FILE NAME:	

REFG

TRANSFORMER
DO NOT BLOCK

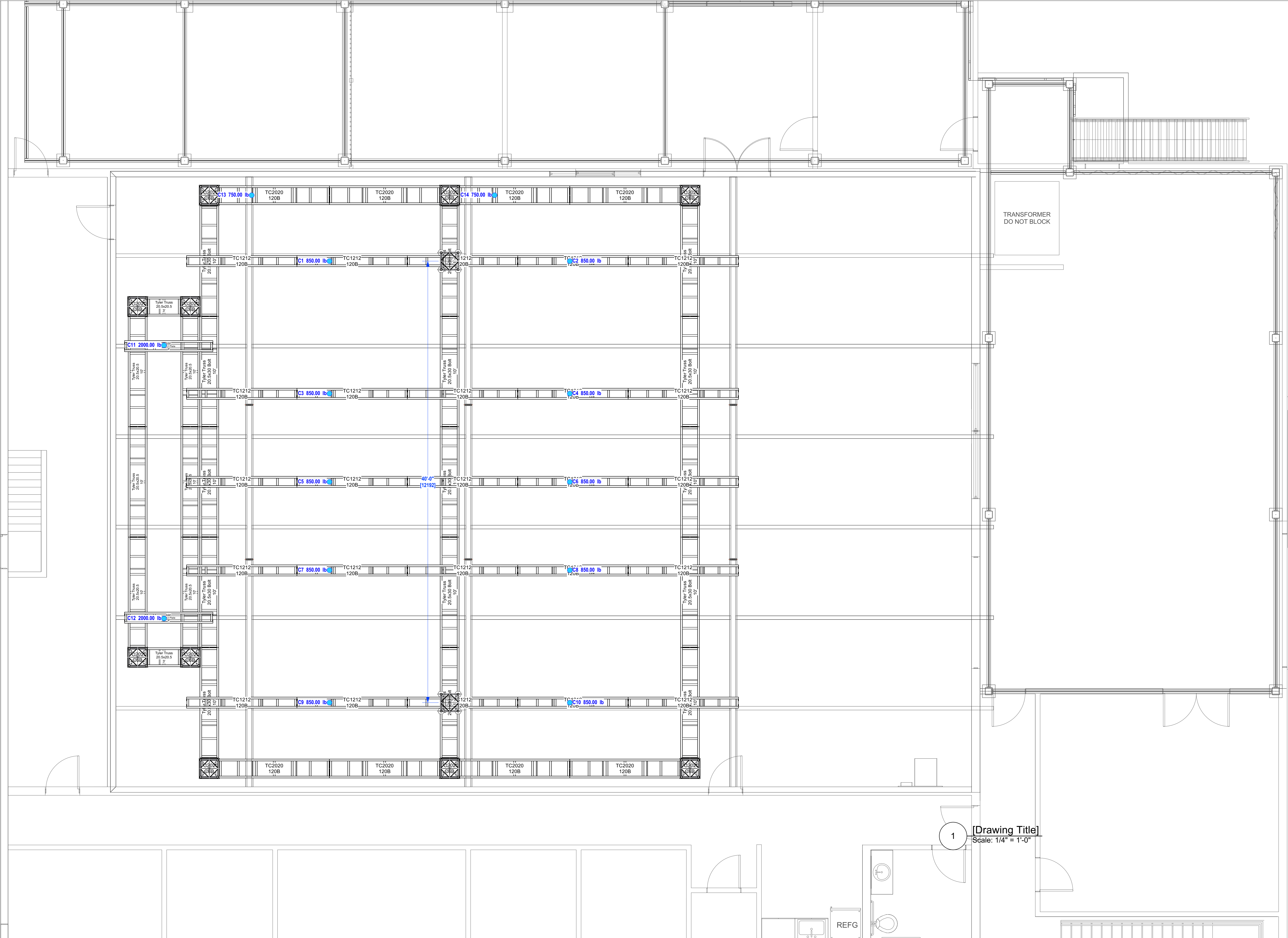


Spanner Not Used

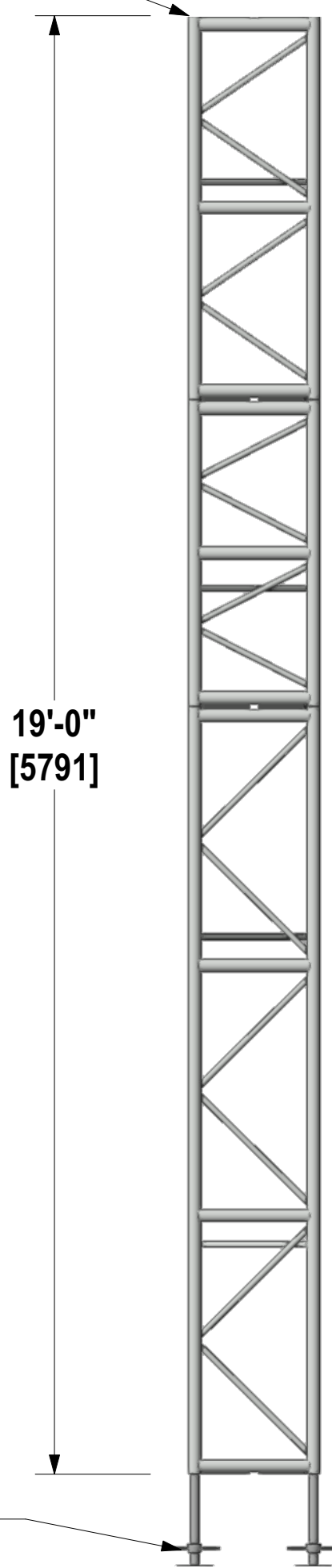
Spanner Not Used

Spanner Not Used

Spanner Not Used



Grapple to main truss



3 Tower Leg
Scale: 1/2" = 1'-0"

1 [Drawing Title]
Scale: 1/4" = 1'-0"

This document and the ideas and design incorporated herein, as an instrument of professional service, is the property of PRG and is not to be used, in whole or part, for any other project without the written authorization of PRG. This document is not to be reproduced or modified in any way without prior written consent of PRG.

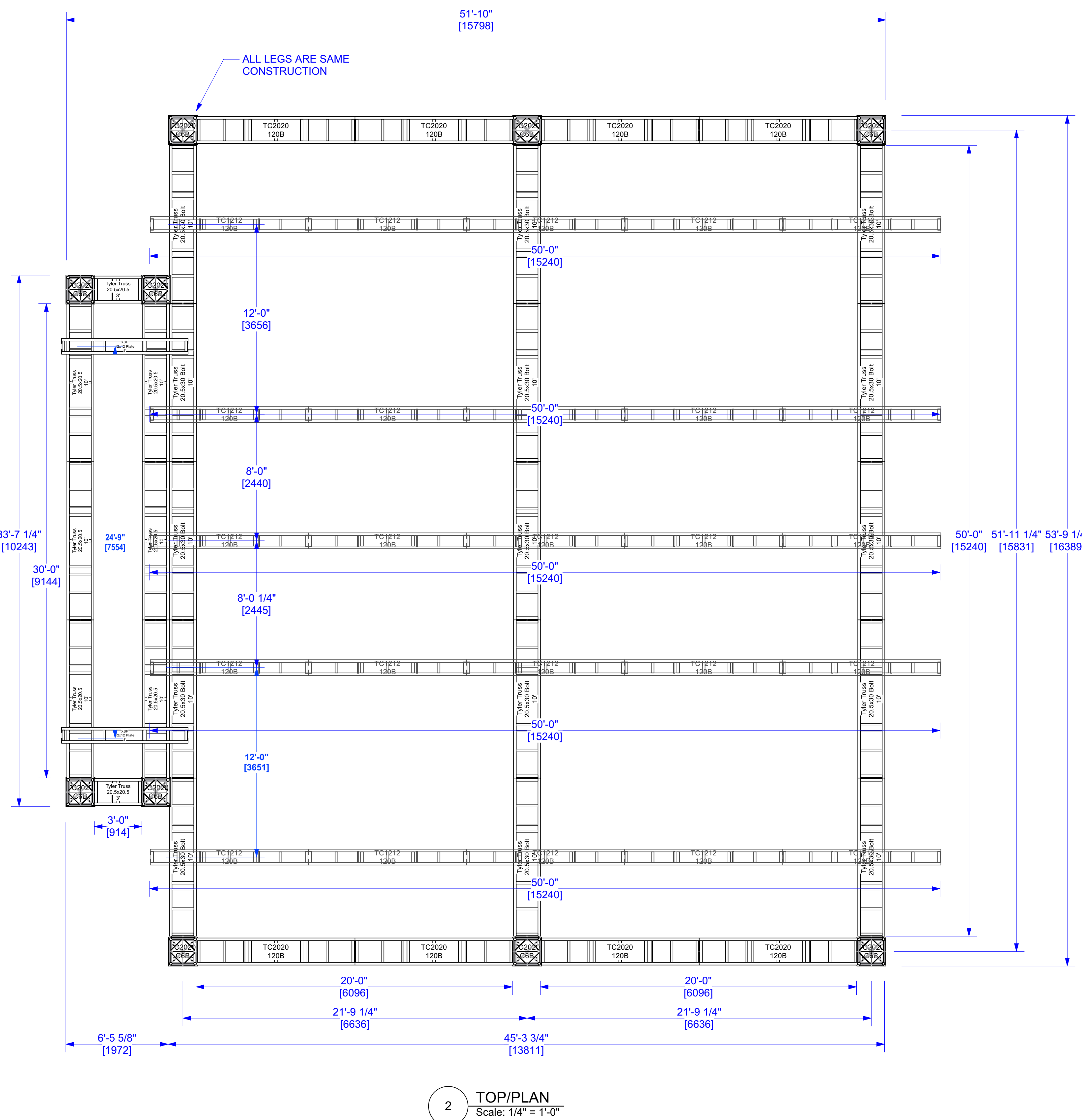
This design or drawing represents visual concepts only. PRG or the draftsman is not a licensed engineer and is not qualified to determine whether the designs and/or drawings meet structural, safety and/or building code requirements. All weight calculations are estimated, for accurate weights a dynamometer must be used. PRG does not assume responsibility for the structural integrity of the designs or for elements and equipment required in connection with the designs.

NOTES:
Scenario C - Total Capacity 14,000 lbs. Note tower legs are installed!

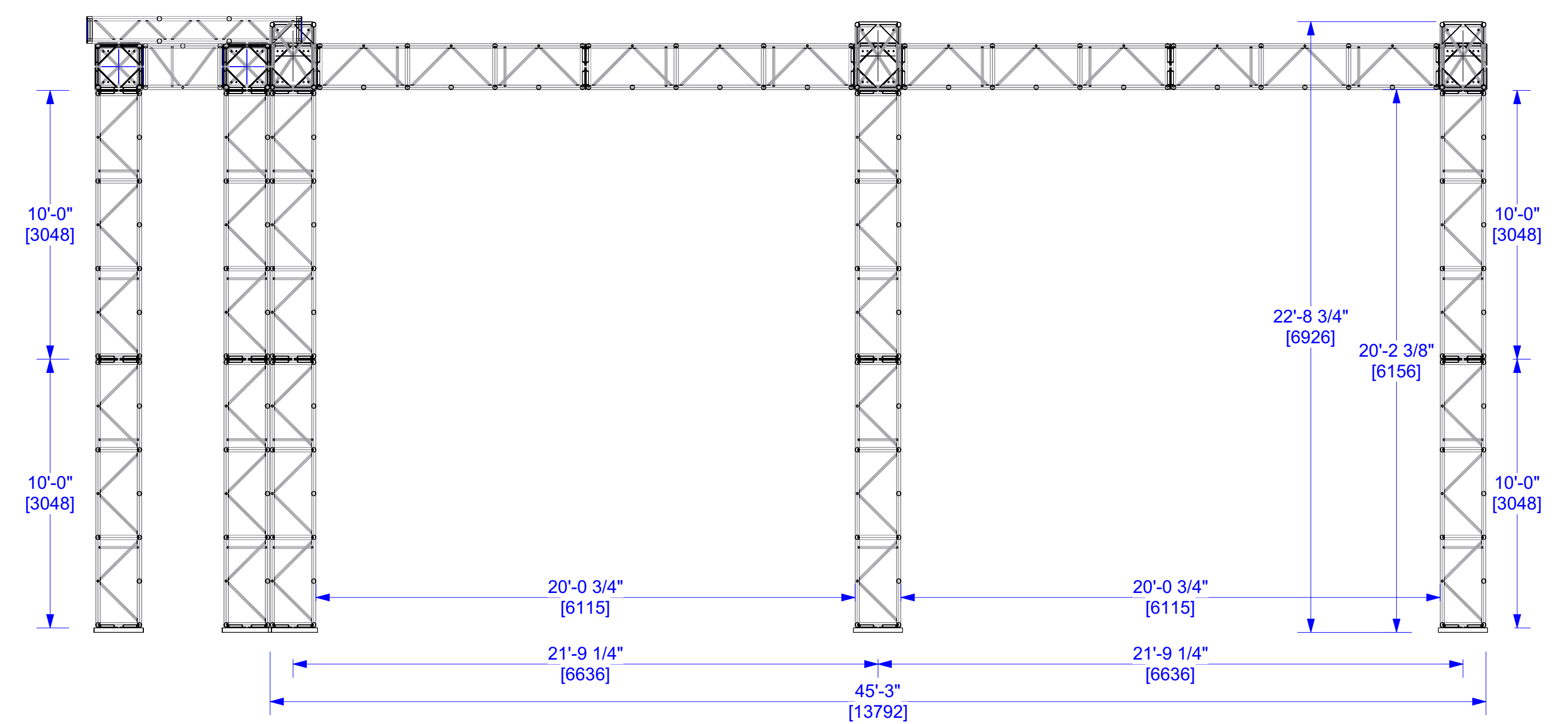
P.TO-103_OVERVIEW

1245 Aviation Place, San Fernando, CA 91340 - Phone: 818-252-2600
www.prg.com

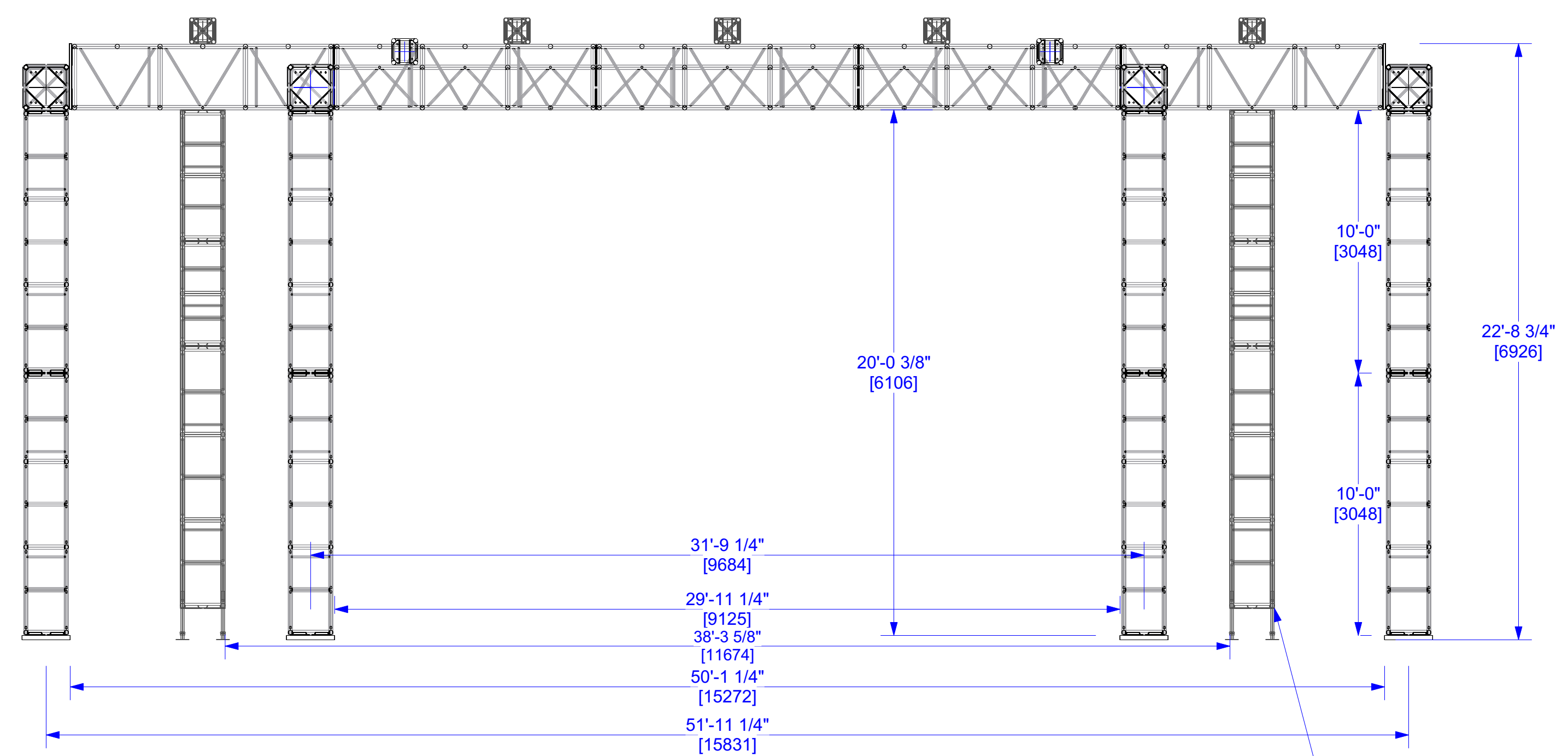
PROJECT: PRG REHEARSAL SPACE LOS ANGELES		PROJECT MANAGER:	SHOW DATE:
VENUE: PRG AVIATION	LOCATION: DEMO ROOM	DRAWN BY: GW/BVB	DATE:
CLIENT:		PROJECT NO.:	SHEET:
ACCOUNT EXECUTIVE:		SCALE:	FILE NAME:



2 TOP/PLAN
Scale: 1/4" = 1'-0"



1 RIGHT
Scale: 1/4" = 1'-0"



3 FRONT
Scale: 1/4" = 1'-0"

Towers installed as needed

NOTES:
This document and the ideas and design incorporated herein, as an instrument of professional service, is the property of PRG and is not to be used, in whole or part, for any other project without the written authorization of PRG. This document is not to be reproduced or modified in any way without prior written consent of PRG.
This design or drawing represents visual concepts only. PRG or the draftsman is not a licensed engineer and is not qualified to determine whether the designs and/or drawings meet structural, safety and/or building code requirements. All weight calculations are estimated, for accurate weights a dynamometer must be used. PRG does not assume responsibility for the structural integrity of the designs or for elements and equipment required in connection with the designs.

P.TO-104_OVERVIEW

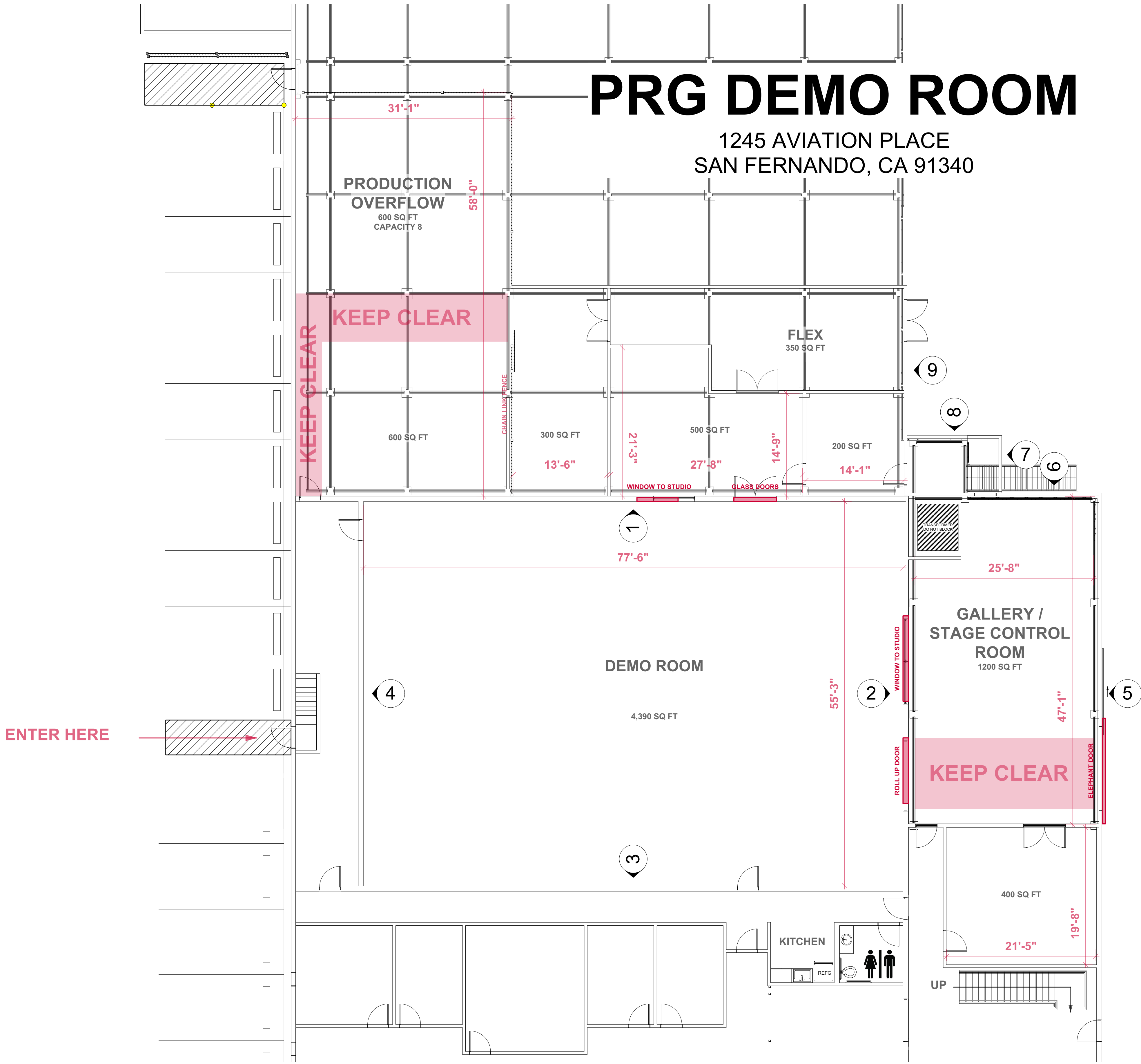


1245 Aviation Place, San Fernando, CA 91340 - Phone: 818-252-2600
www.prg.com

PROJECT: PRG REHEARSAL SPACE LOS ANGELES		PROJECT MANAGER: GW/BVB	SHOW DATE:
VENUE: PRG AVIATION	LOCATION: DEMO ROOM	DRAWN BY:	DATE:
CLIENT:	SCALE:	PROJECT NO.:	SHEET:
ACCOUNT EXECUTIVE:	FILE NAME:		

PRG DEMO ROOM

1245 AVIATION PLACE
SAN FERNANDO, CA 91340



3 STUDIO - GROUND FLOOR
Scale: 1/8" = 1'-0"

NOTES:
This document and the ideas and design incorporated herein, as an instrument of professional service, is the property of PRG and is not to be used, in whole or part, for any other project without the written authorization of PRG. This document is not to be reproduced or modified in any way without prior written consent of PRG.

This design or drawing represents visual concepts only. PRG or the draftsman is not a licensed engineer and is not qualified to determine whether the designs and/or drawings meet structural, safety and/or building code requirements. All weight calculations are estimated, for accurate weights a dynamometer must be used. PRG does not assume responsibility for the structural integrity of the designs or for elements and equipment required in connection with the designs.

P.PLAN-101_STUDIO PLAN

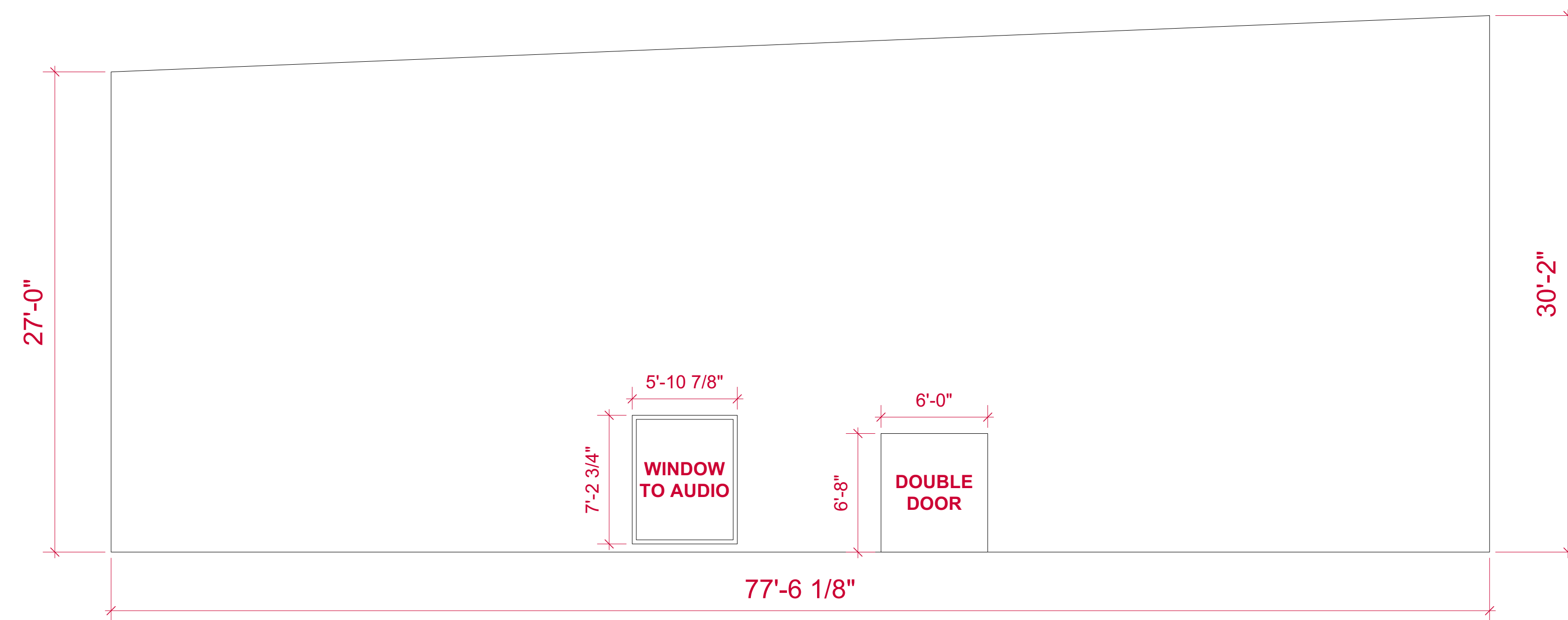


1245 Aviation Place, San Fernando, CA 91340 - Phone: 818-252-2600
www.prg.com

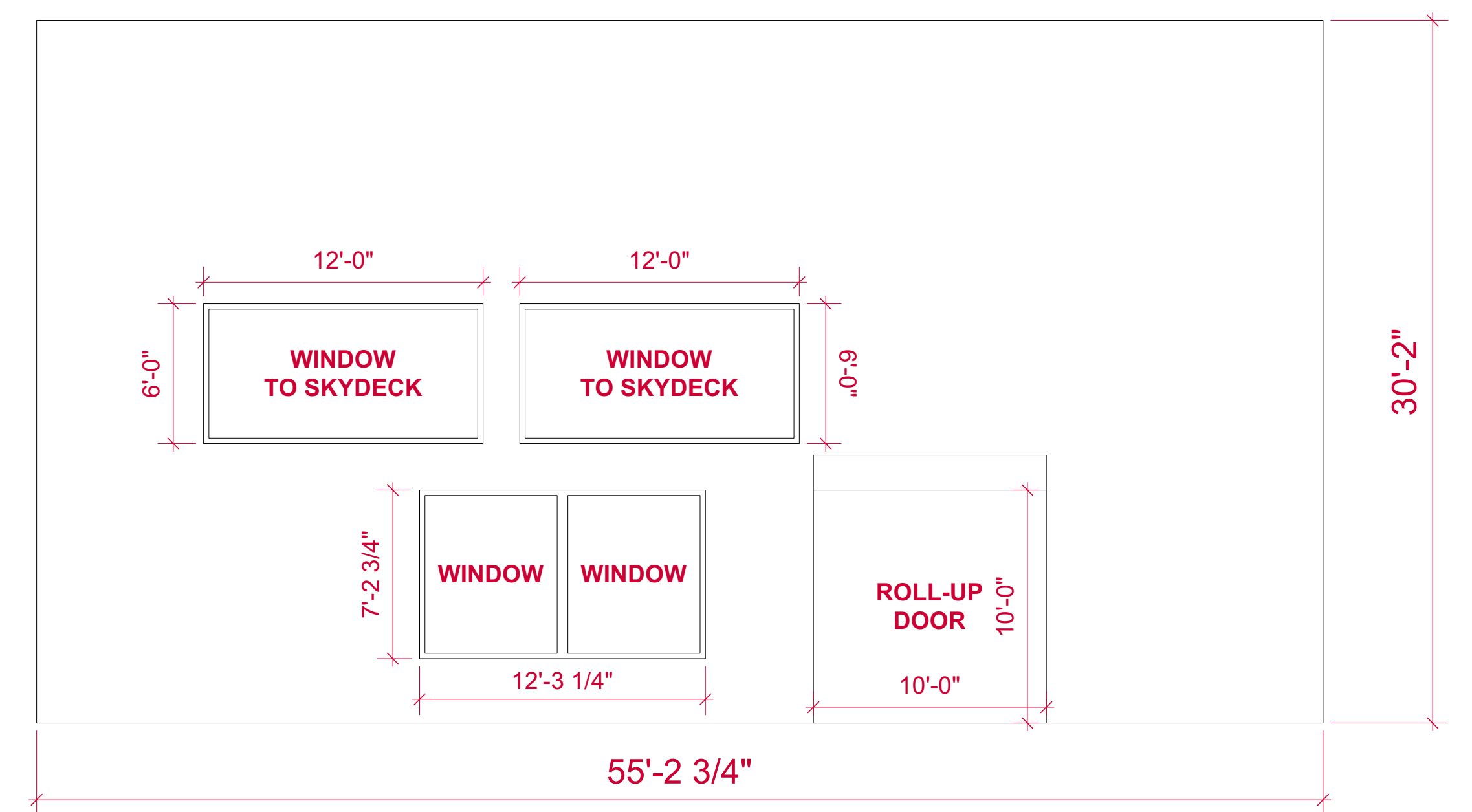
PROJECT: PRG REHEARSAL SPACE LOS ANGELES		PROJECT MANAGER:	SHOW DATE:
VENUE: PRG AVIATION		DRAWN BY: GW/BVB	DATE:
CLIENT:		PROJECT NO.:	SHEET:
ACCOUNT EXECUTIVE:		SCALE:	FILE NAME:

STUDIO ELEVATIONS

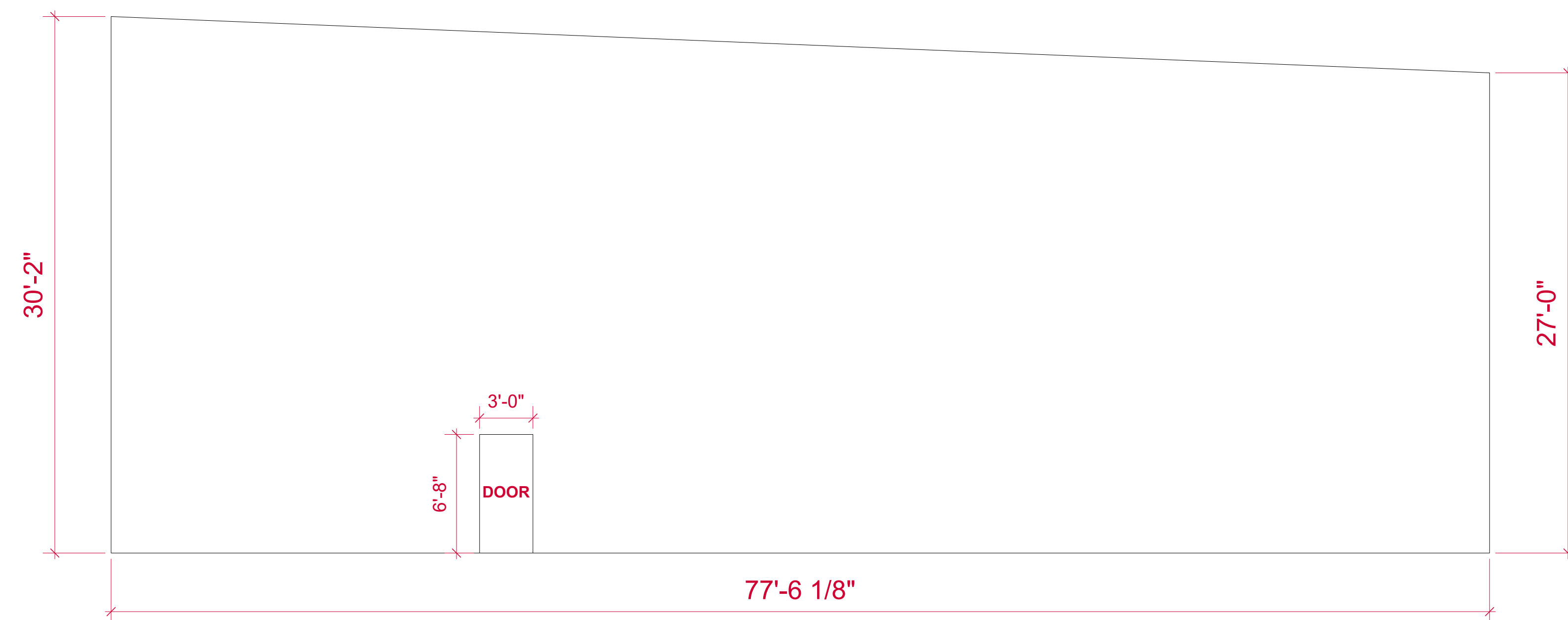
INTERIOR WALLS



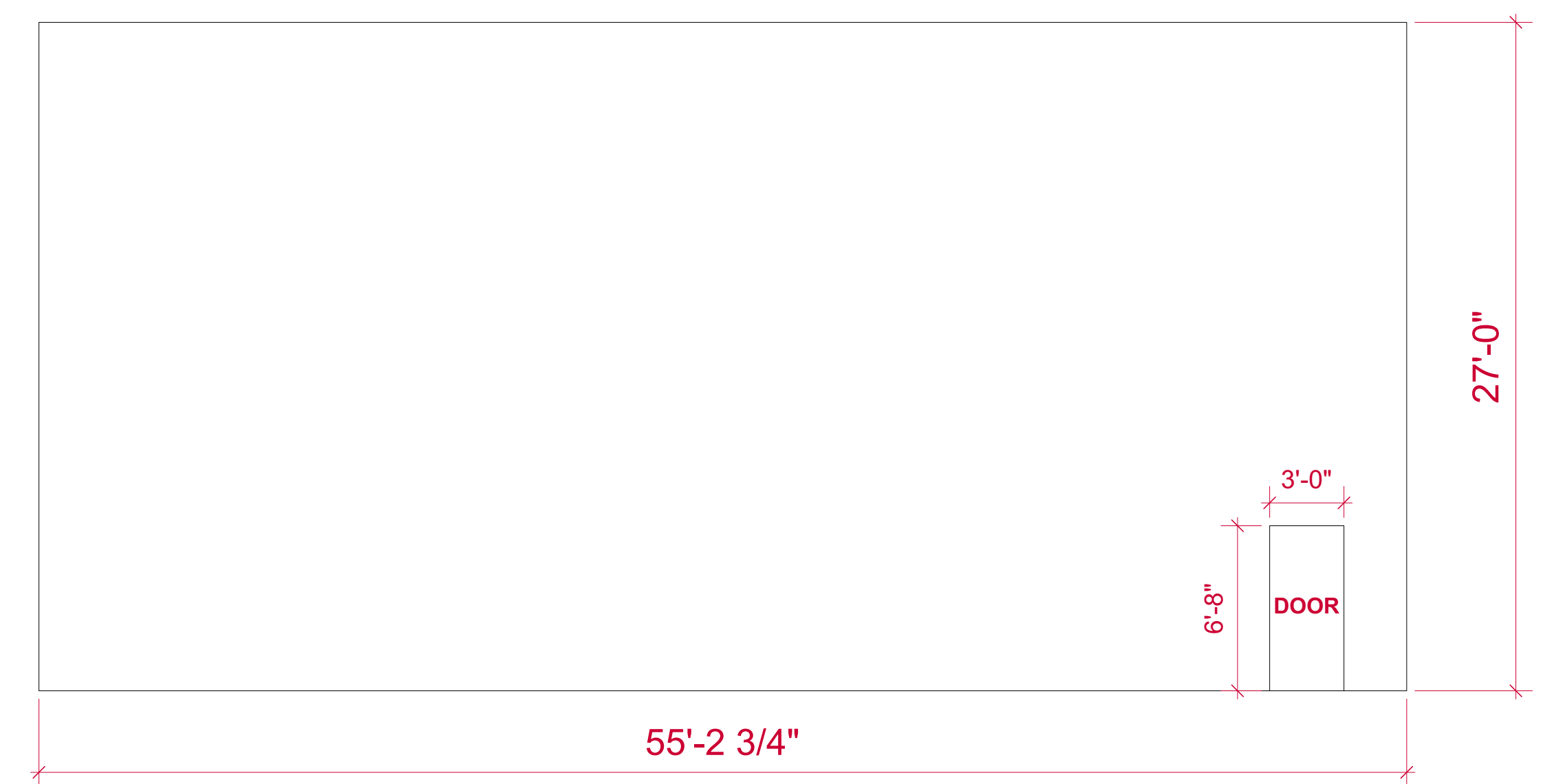
1 STUDIO - SL WALL
Scale: 3/16" = 1'-0"



2 STUDIO - FOH WALL
Scale: 3/16" = 1'-0"



3 STUDIO - SR WALL
Scale: 3/16" = 1'-0"



4 STUDIO - US WALL
Scale: 3/16" = 1'-0"

This document and the ideas and design incorporated herein, as an instrument of professional service, is the property of PRG and is not to be used, in whole or part, for any other project without the written authorization of PRG. This document is not to be reproduced or modified in any way without prior written consent of PRG.

NOTES:

This design or drawing represents visual concepts only. PRG or the draftsperson is not a licensed engineer and is not qualified to determine whether the designs and/or drawings meet structural, safety and/or building code requirements. All weight calculations are estimated, for accurate weights a dynamometer must be used. PRG does not assume responsibility for the structural integrity of the designs or for elements and equipment required in connection with the designs.

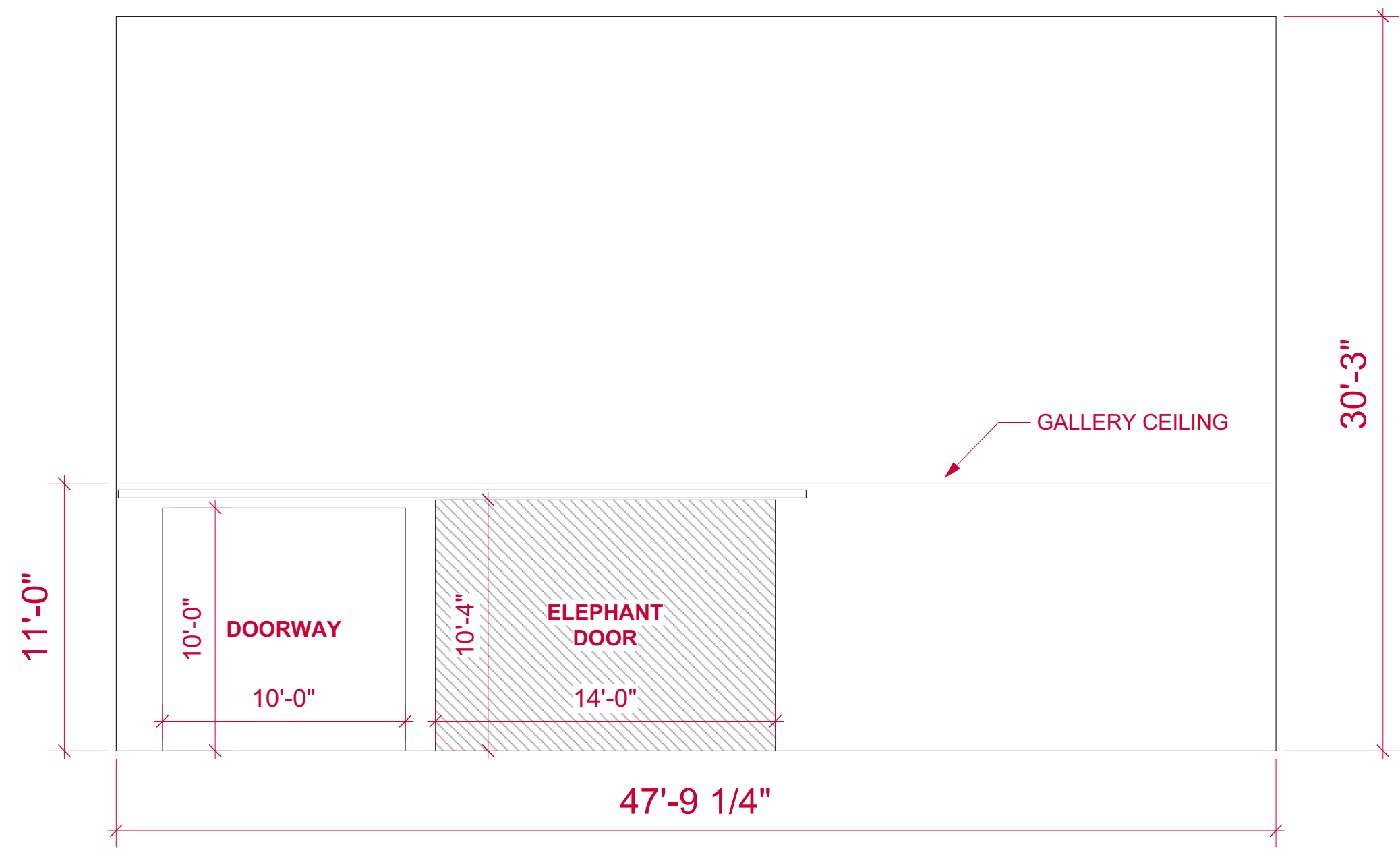
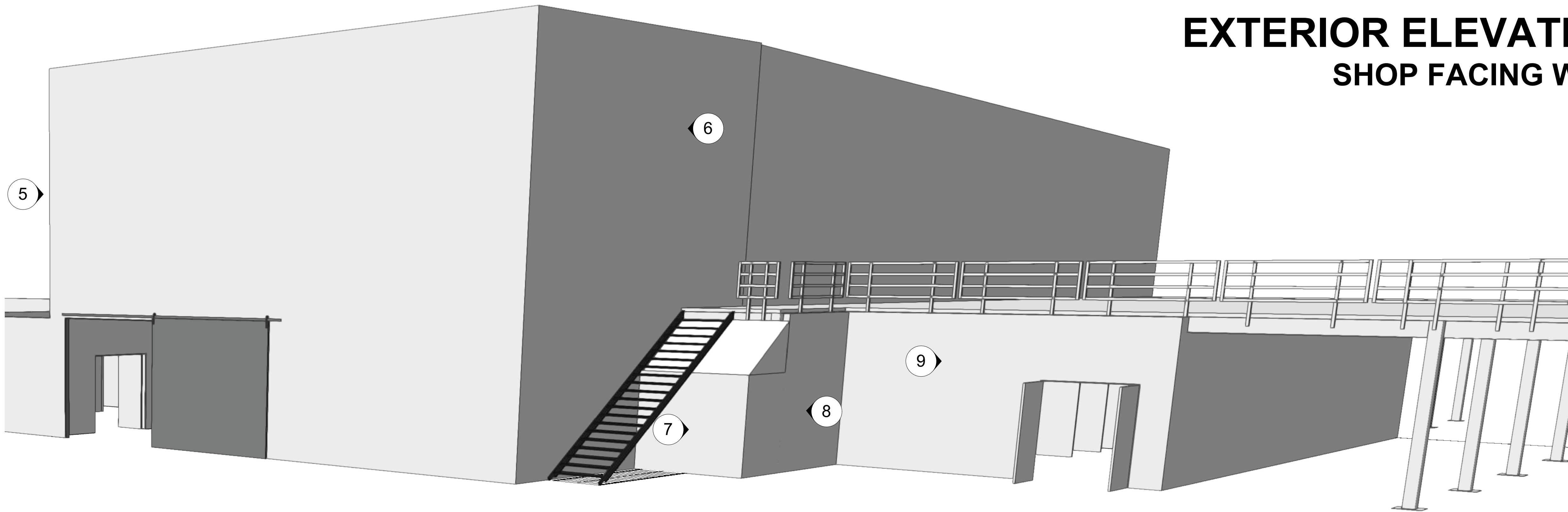
P.PLAN-102_STUDIO ELEVATIONS



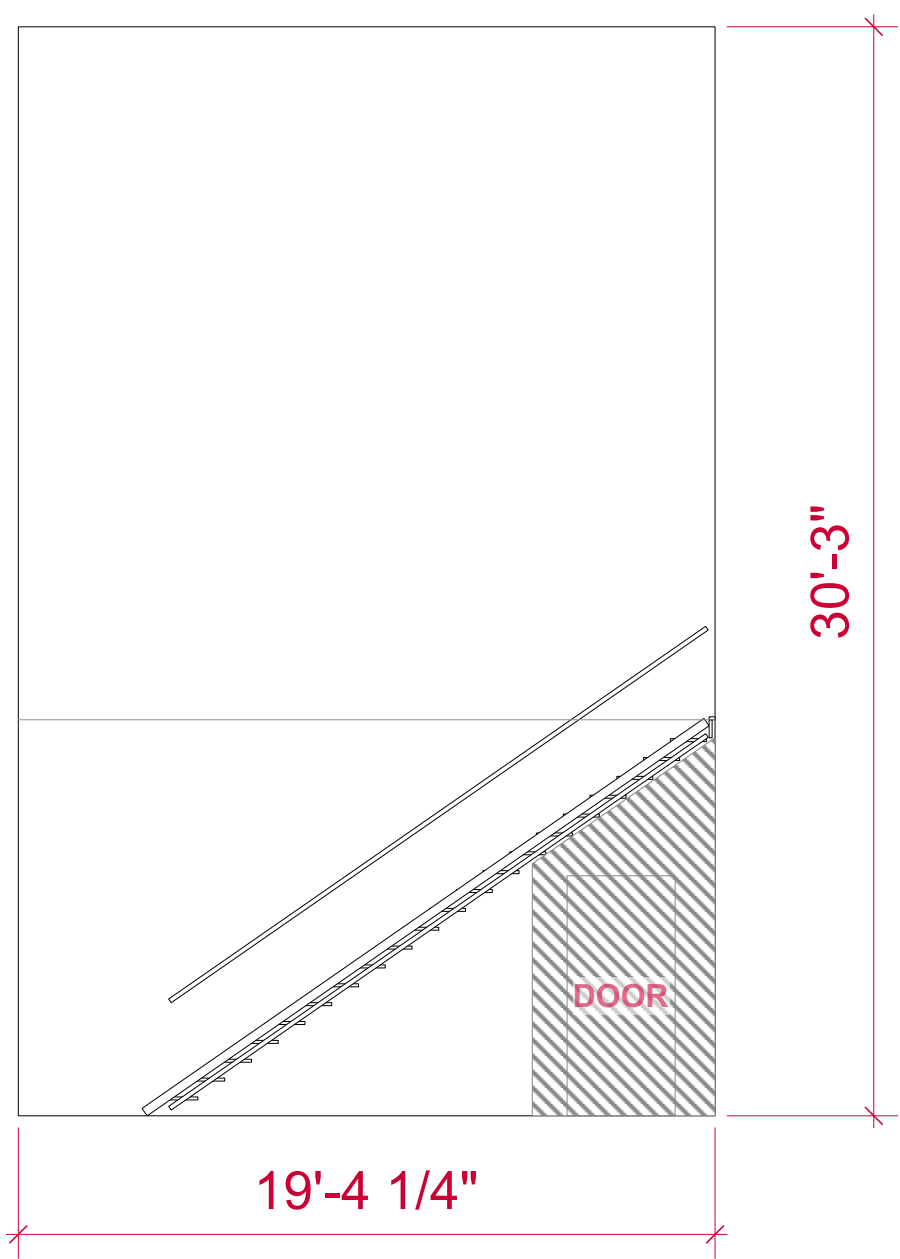
1245 Aviation Place, San Fernando, CA 91340 - Phone: 818-252-2600
www.prg.com

PROJECT: PRG REHEARSAL SPACE LOS ANGELES		PROJECT MANAGER:	SHOW DATE:
VENUE: PRG AVIATION		DRAWN BY: GW/BVB	DATE:
CLIENT:		PROJECT NO.:	SHEET:
ACCOUNT EXECUTIVE:		SCALE:	FILE NAME:
LOCATION: DEMO ROOM			

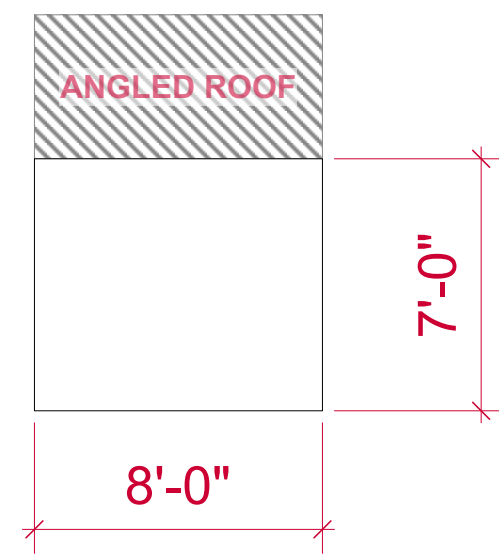
EXTERIOR ELEVATIONS SHOP FACING WALLS



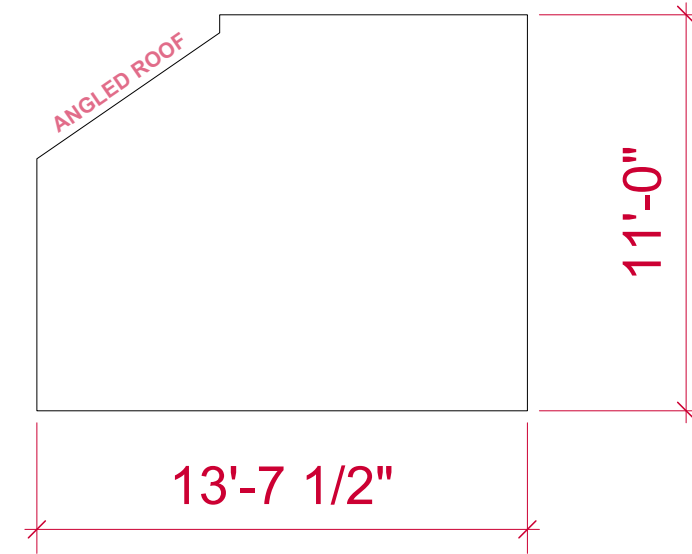
5 EXTERIOR
Scale: 3/16" = 1'-0"



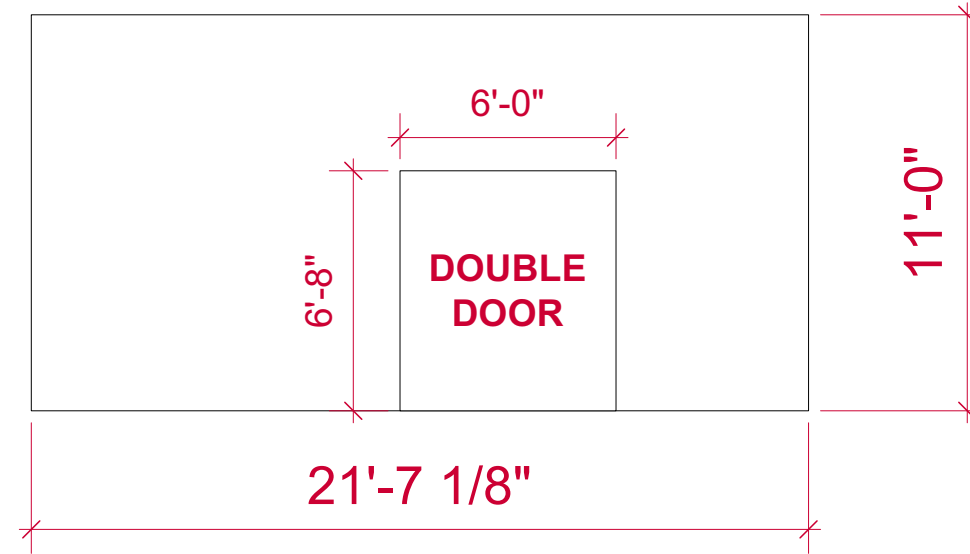
6 EXTERIOR
Scale: 3/16" = 1'-0"



7 EXTERIOR
Scale: 3/16" = 1'-0"



8 EXTERIOR
Scale: 3/16" = 1'-0"



9 EXTERIOR
Scale: 3/16" = 1'-0"

NOTES:
This document and the ideas and design incorporated herein, as an instrument of professional service, is the property of PRG and is not to be used, in whole or part, for any other project without the written authorization of PRG. This document is not to be reproduced or modified in any way without prior written consent of PRG.
This design or drawing represents visual concepts only. PRG or the draftsperson is not a licensed engineer and is not qualified to determine whether the designs and/or drawings meet structural, safety and/or building code requirements. All weight calculations are estimated, for accurate weights a dynamometer must be used. PRG does not assume responsibility for the structural integrity of the designs or for elements and equipment required in connection with the designs.

P.PLAN-103_EXTERIOR ELEVATIONS



1245 Aviation Place, San Fernando, CA 91340 - Phone: 818-252-2600
www.prg.com

PROJECT: PRG REHEARSAL SPACE LOS ANGELES		PROJECT MANAGER:	SHOW DATE:
VENUE: PRG AVIATION		DRAWN BY: GW/BVB	DATE:
CLIENT:		PROJECT NO.:	SHEET:
ACCOUNT EXECUTIVE:		SCALE:	FILE NAME:
LOCATION: DEMO ROOM			